

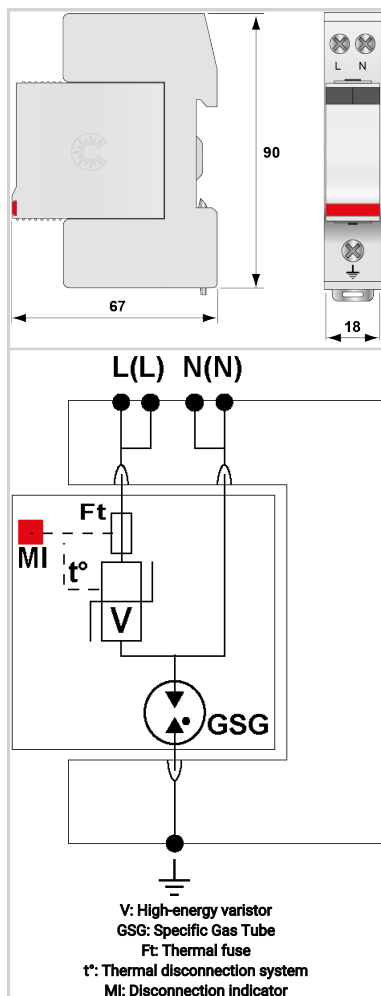


CITEL

DS240-280/G



- Compact single-phase Type 2 surge protector
- In : 20 kA
- Imax : 40 kA
- Common/Differential mode
- Pluggable module
- Remote signaling option
- EN 61643-11, IEC 61643-11 compliance
- UL1449 ed.5



Electrical Characteristics		
SPD type	IEC	2
Network		230/400 V
AC system		TT-TN
Nominal line voltage	Un	230 Vac
Max. AC operating voltage	Uc	280 Vac
Max. load current <i>if series connection</i>	IL	20 A
Temporary Over Voltage (TOV) Characteristics - 5 sec. <i>Without disconnection</i>	UT	335 Vac withstand
Temporary Over Voltage (TOV) Characteristics - 120 mn <i>Without disconnection or with safety disconnection</i>	UT	440 Vac disconnection
Temporary Over Voltage N/PE (TOV HT) <i>Without disconnection or with safety disconnection</i>	UT	1200 V/300A/200 ms withstand
Residual Current <i>Leakage current to Ground</i>	Ipe	None
Follow current	If	None
Nominal discharge current <i>15 x 8/20 μs impulses</i>	In	20 kA
Max. discharge current <i>max. withstand @ 8/20 μs by pole</i>	Imax	40 kA
Total Maximum discharge current <i>max. total withstand @ 8/20 μs</i>	Imax Total	40 kA
Connection mode(s)		L/N and N/PE
Protection mode(s)		Common/Differential mode
Residual voltage at 5 kA <i>@ 5 kA (8/20μs)</i>	Up-5kA	1.5/0.9 kV
Protection level CM/DM <i>@ In (8/20μs)</i>	Up mc /md	1.5/1.3 kV
Admissible short-circuit current	Iscrc	10 000 A
Mechanical Characteristics		
Technology		MOV
SPD configuration		Single phase
Connection to Network		By screw terminals: 1.5-10mm ² (L/N) or 2.5-25mm ² (PE)
Format		Plug-in modular box
Mounting		Symmetrical rail 35 mm (EN 60715)
Housing material		Thermoplastic UL94 V-0
Operating temperature	Tu	-40/+85°C
Protection rating		IP20
Failsafe mode		Disconnection from AC network
Disconnection indicator		1 mechanical indicator
Spare module(s)		DSM240-280/G
Remote signaling of disconnection		Option DS240S-280/G : output on changeover contact
Dimensions		See diagram
Disconnectors		
Thermal disconnector		Internal
Installation ground fault breaker		Type 'S' or delayed
Back-up protection device		50 A min. - 125 A max. - Fuses Type gG
Standards		



CITEL

Compact 1-phase Type 2 (or 3) surge protector - 230 V - Pluggable

DS240-280/G

Standards compliance	IEC 61643-11 / EN 61643-11 / UL1449 ed.5
Certification	UL Recognized
Part number	
311111	

