



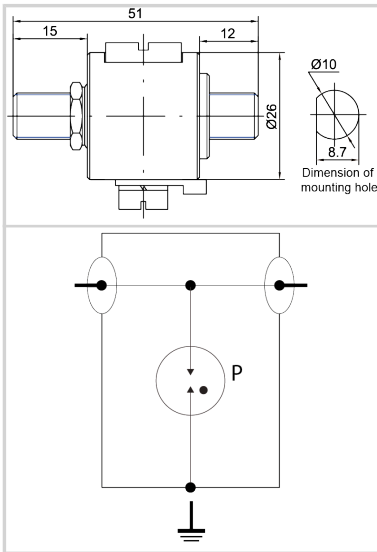
# CITEL

## RF coaxial protector - 2 GHz

### P8AX25-F/FF



- RF coaxial surge protector
- 2 GHz
- 118 W
- Connectors: F
- Low insertion loss
- Removable GDT
- DC-pass
- Bi-directional protection



#### Electrical Characteristics

|   |                  |             |
|---|------------------|-------------|
| Max. DC operating voltage   | Uc               | 200 Vdc     |
| Frequency range   | f                | DC-2 GHz    |
| Insertion loss  |                  | < 0.5 dB    |
| Return loss   |                  | > 19 dB     |
| Impedance   |                  | 75 ohms     |
| VSWR  |                  | < 1.3:1     |
| Max. load current @25°C   | IL               | 10 A        |
| Residual Current<br>Leakage current to Ground                             | Ipe              | None        |
| Max. discharge current<br>max. withstand @ 8/20 μs by pole                | I <sub>max</sub> | 20 kA       |
| Nominal discharge current<br>C2 Category                                  | I <sub>n</sub>   | 5 kA        |
| Protection mode(s)  |                  | Common mode |
| Protection level<br>@ 1kV/μs (C3)   | U <sub>p</sub>   | < 800 V     |
| Impulse current<br>2 x 10/350 μs Test - D1 Category                       | I <sub>imp</sub> | 1 kA        |
| Max Power   |                  | 190 W       |
| Typical let through energy<br>(50 ohms) input 4kV 1.2/50 μs - 2kA 8/20 μs |                  | 350 μJ      |
| DC Pass   |                  | Yes         |
| Insulation resistance   | IR               | ≥10 GOhms   |

#### Mechanical Characteristics

|                         |    |                                 |
|-------------------------|----|---------------------------------|
| Technology              |    | Gas discharge tube              |
| Connection to Network   |    | Connector F Female/Female       |
| Mounting                |    | Bulkhead or Bracket             |
| Housing material        |    | Brass/Surface plating: Cu Zn Sn |
| Operating temperature   | Tu | -40/+85°C                       |
| Relative Humidity       |    | 5 - 85%                         |
| Protection rating       |    | IP65                            |
| Failsafe mode           |    | Short-circuit                   |
| Disconnection indicator |    | Transmission interrupt          |
| Spare module(s)         |    | BBHF-250V                       |
| Dimensions              |    | See diagram                     |
| Contacts                |    | Bronze/Surface Au-Ag            |
| Weight                  |    | 0.096 kg                        |

#### Standards

|                         |  |                                     |
|-------------------------|--|-------------------------------------|
| Standards compliance    |  | IEC 61643-21 / EN 61643-21 / UL497E |
| Environmental standards |  | EU RoHS                             |
| RohS compliance         |  | Yes                                 |

#### Part number

60214

