



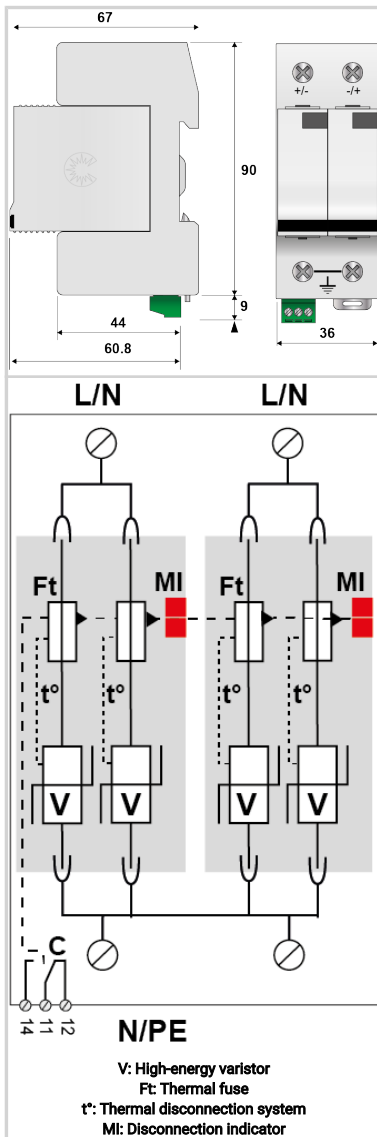
CITEL

1-Pole 48 Vdc surge protector

DS72RS-48DC



- 2-poles surge protector 48 Vdc
- Type 1 et Type 2
- In 30 kA / I_{max} 70 kA
- Remote signaling
- I_{imp} 7 kA
- Pluggable Module
- IEC 61643-11 and EN61643-11 compliance
- UL1449 ed.5



Electrical Characteristics

SPD type	IEC	1+2
Network		48 Vdc
Nominal line voltage	Un	48 Vdc
Nominal DC voltage	Un-dc	48 Vdc
Max. DC operating voltage	Uc	65 Vdc
Follow current	If	None
Nominal discharge current <i>15 x 8/20 μs impulses</i>	In	30 kA
Max. discharge current <i>max. withstand @ 8/20 μs by pole</i>	I _{max}	70 kA
Total Maximum discharge current <i>max. total withstand @ 8/20 μs</i>	I _{max} Total	140 kA
Impulse current by pole <i>max. withstand 10/350 μs by pole</i>	I _{imp}	7 kA
Total lightning current <i>max. total withstand @ 10/350 μs</i>	I _{total}	14 kA
Connection mode(s)		+ /PE and - /PE
Protection mode(s)		Differential/Common mode
Protection level +/PE (-/PE) <i>@ In (8/20 μs)</i>	Up	300 V

Mechanical Characteristics

Technology		MOV
SPD configuration		2-poles
Connection to Network		By screw terminals: 4-25mm ²
Format		Plug-in modular box
Mounting		Symmetrical rail 35 mm (EN 60715)
Housing material		Thermoplastic UL94 V-0
Operating temperature	Tu	-40/+85°C
Protection rating		IP20
Failsafe mode		Disconnection from DC network
Disconnection indicator		1 mechanical indicator by pole
Spare module(s)		DSM70R-48DC
Remote signaling of disconnection		Output on changeover contact
Dimensions		See diagram

Disconnectors

Thermal disconnector		Internal
Back-up protection device		100 A min. - 125 A max. - Fuses type gG

Standards

Standards compliance		IEC 61643-11 / EN 61643-11 / UL1449 ed.5
Certification		cRUus
Environmental standards		EU RoHS

Part number

492121

