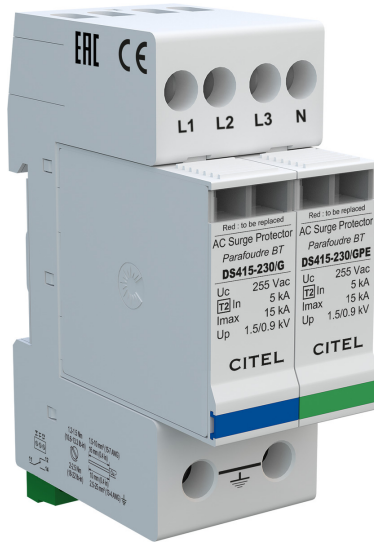
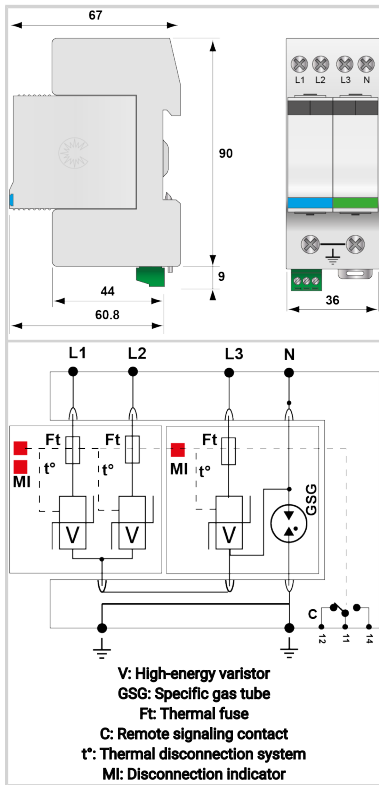




CITEL



- ▶ Discover our latest innovation : the [DAC15CS-31-275](#)
- ▶ Compact 3-phase+N type 2 (or 3) surge protector
- ▶ In : 5 kA
- ▶ Imax : 15 kA
- ▶ Common/Differential mode
- ▶ Pluggable module
- ▶ Remote signaling
- ▶ EN 61643-11, CEI 61643-11, UL1449 ed.3 compliance



Electrical Characteristics		
SPD type	IEC	2+3
Network		230/400 V
AC system		TT-TN
Nominal line voltage	Un	230 Vac
Max. AC operating voltage	Uc	255 Vac
Temporary Over Voltage (TOV) Characteristics - 5 sec. Without disconnection	UT	335 Vac withstand
Temporary Over Voltage (TOV) Characteristics - 120 mn Without disconnection or with safety disconnection	UT	440 Vac disconnection
Temporary Over Voltage N/PE (TOV HT) Without disconnection or with safety disconnection	UT	1200 V/300A/200 ms withstand
Residual Current Leakage current to Ground	Ipe	None
Follow current	If	None
Nominal discharge current 15 x 8/20 μ s impulses	In	5 kA
Max. discharge current max. withstand @ 8/20 μ s by pole	Imax	15 kA
Total Maximum discharge current max. total withstand @ 8/20 μ s	Imax Total	15 kA
Withstand on Combination waveform IEC 61643-11 Class III test: 1.2/50 μ s - 8/20 μ s	Uoc	10 kV
Withstand on overvoltages IEEE C62.41.1		10 kV
Connection mode(s)		L/N and N/PE
Protection mode(s)		Common/Differential mode
Residual voltage at 5 kA @ 5 kA (8/20 μ s)	Up-5kA	1.5/0.9 kV
Protection level L/N @ In (8/20 μ s)	Up L/N	1.25 kV
Protection level L/PE @ In (8/20 μ s)	Up L/PE	1.5 kV
Protection level CM/DM @ In (8/20 μ s)	Up mc /md	1.5/0.9 kV
Admissible short-circuit current	Iscsr	10 000 A
Mechanical Characteristics		
Technology		MOV
SPD configuration		3-phase+Neutral
Connection to Network		By screw terminals: 1.5-10mm ² (L/N) or 2.5-25mm ² (PE)
Format		Plug-in modular box
Mounting		Symmetrical rail 35 mm (EN 60715)
Housing material		Thermoplastic UL94 V-0
Operating temperature	Tu	-40/+85°C
Protection rating		IP20
Failsafe mode		Disconnection from AC network
Disconnection indicator		3 mechanical indicators
Spare module(s)		DSM415-230/G + DSM415-230/GPE
Remote signaling of disconnection		Output on changeover contact
Dimensions		See diagram
Disconnectors		
Thermal disconnector		Internal
Installation ground fault breaker		Type 'S' or delayed
Back-up protection device		20 A / 40 A (gL/gG)
Standards		



CITEL

Compact 3-phase+N Type 2 surge protector - 230/400 V - Pluggable

DS415S-230/G

Standards compliance	IEC 61643-11 / EN 61643-11 / UL1449 ed.5
Certification	
Part number	
451732	

