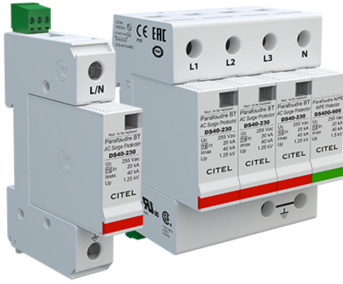




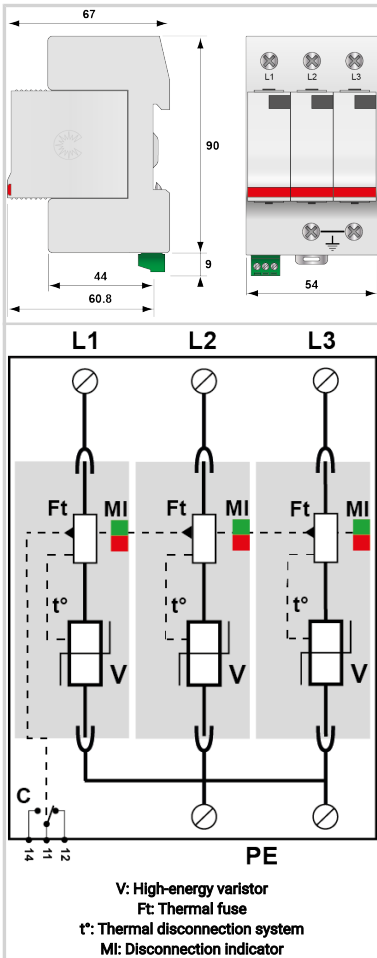
CITEL

Type 2 AC surge protector - 3-phase

DS43S-600



- ▶ Discover our latest innovation : the [DAC50S-30-660](#)
- ▶ Type 2 AC surge protector
- ▶ In : 20 kA
- ▶ Imax : 40 kA
- ▶ Pluggable module for each phase
- ▶ Remote signaling option
- ▶ EN 61643-11, IEC 61643-11 compliance
- ▶ UL1449 ed.5



Electrical Characteristics

SPD type	IEC	2
Network		347/600 V
Nominal line voltage	Un	377 Vac
Max. AC operating voltage	Uc	660 Vac
Temporary Over Voltage (TOV) Characteristics - 5 sec. <i>Without disconnection</i>	UT	870 Vac withstand
Temporary Over Voltage (TOV) Characteristics - 120 mn <i>Without disconnection or with safety disconnection</i>	UT	1150 Vac disconnection
Residual Current <i>Leakage current to Ground</i>	Ipe	< 1 mA
Follow current	If	None
Nominal discharge current <i>15 x 8/20 μs impulses</i>	In	20 kA
Max. discharge current <i>max. withstand @ 8/20 μs by pole</i>	Imax	40 kA
Connection mode(s)		L/PE and N/PE
Protection mode(s)		Common Mode or Differential Mode
Admissible short-circuit current	Iscsr	25 000 A

Mechanical Characteristics

Technology		MOV
SPD configuration		Single phase
Connection to Network		By screw terminals: 2.5-25mm ² / by bus
Format		Plug-in modular box
Mounting		Symmetrical rail 35 mm (EN 60715)
Housing material		Thermoplastic UL94 V-0
Operating temperature	Tu	-40/+85°C
Protection rating		IP20
Failsafe mode		Disconnection from AC network
Disconnection indicator		1 mechanical indicator
Spare module(s)		DSM40-600
Remote signaling of disconnection		option DS41S-600 : output on changeover contact
Dimensions		See diagram
Weight		0.359 kg

Disconnectors

Thermal disconnector		Internal
Installation ground fault breaker		Type 'S' or delayed
Back-up protection device		Fuses type gG - 50 A

Standards

Standards compliance		IEC 61643-11 / EN 61643-11 / UL1449 ed.5
Certification		CSA / UL

Part number

461723

