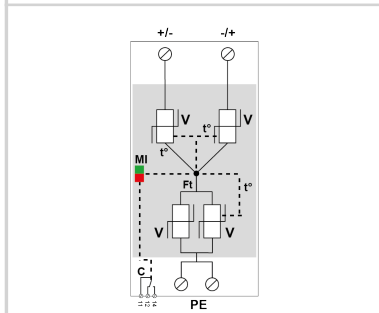
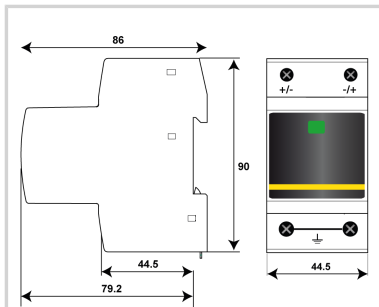




CITEL



- ▶ Type 1+2+3 surge protector for Photovoltaic
- ▶ CTC Technology
- ▶ Impulse currents I_{imp}/I_{total} : 6.25/12.5 kA (10/350 μ s)
- ▶ Common/Differential mode protection
- ▶ IEC 61643-31, EN 61643-31, EN 50539-11, UL1449 ed.5 compliance
- ▶ Certified EN 61643-31 and IEC 61643-31



V: High-energy varistor
 Ft: Thermal fuse
 C: Remote signal contact
 t*: Thermal disconnection system
 MI: Mechanical disconnection indicator

Electrical Characteristics

SPD type	IEC	1+2+3
Network		PV 710 Vdc
Nominal PV voltage	Uocstc	710 Vdc
Max. PV operating voltage	Ucpv	850 Vdc
Residual Current Leakage current to Ground	Ipe	< 0.2 mA
PV Permanent Operating current Current consumption at Ucpv	Icpv	< 0.1 mA
Follow current	If	None
Nominal discharge current 15 x 8/20 μ s impulses	In	20 kA
Max. discharge current max. withstand @ 8/20 μ s by pole	Imax	40 kA
Total Maximum discharge current max. total withstand @ 8/20 μ s	Imax Total	60 kA
Impulse current by pole max. withstand 10/350 μ s by pole	Iimp	6.25 kA
Total lightning current max. total withstand @ 10/350 μ s	Itotal	12.5 kA
Withstand on Combination waveform IEC 61643-11 Class III test: 1.2/50 μ s - 8/20 μ s	Uoc	6 kV
Current withstand short circuit PV	Iscpv	15 000 A
Connection mode(s)		+/-/PE
Protection mode(s)		Common/Differential mode
Protection level +/- @ In (8/20 μ s)	Up	3.3 kV
Protection level +/-PE (-/PE) @ In (8/20 μ s)	Up	3.3 kV
Protection level at 5 kA @ 5 kA (8/20 μ s)	Up	2,6 kV

Mechanical Characteristics

Technology		MOV
Connection to Network		By screw terminals: 2.5-25mm ² (35mm ²) / by bus
Format		Compact monobloc box
Mounting		Symmetrical rail 35 mm (EN 60715)
Housing material		Thermoplastic UL94 V-0
Operating temperature	Tu	-40/+85°C
Protection rating		IP20
Failsafe mode		All pole disconnection from PV network
Disconnection indicator		1 mechanical indicator - Red/Green
Remote signaling of disconnection		Output on changeover contact
Dimensions		See diagram - 2.5TE (EN43880)

Disconnectors

Thermal disconnector		CTC Technology integrated
Back-up protection device		Without

Standards

Standards compliance		IEC 61643-31 / EN 61643-31 / EN 50539-11 / UL1449 ed.5
Certification		KEMA

Part number

65211104

