



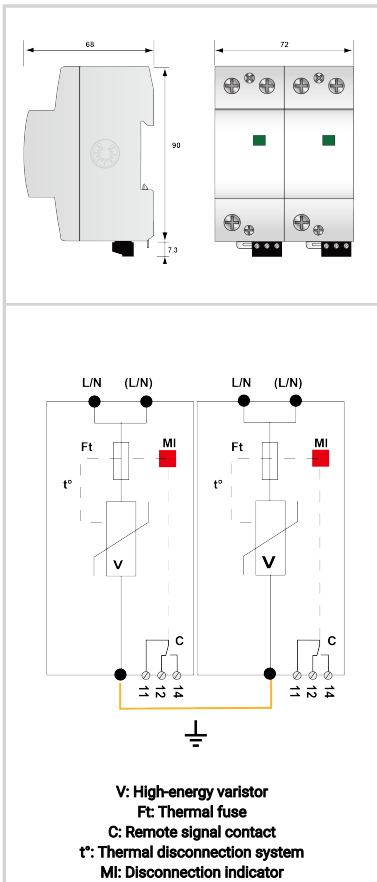
# CITEL

## Type 1+2 AC surge protector single-phase

### DACN1-13S-20-760



- Type 1 + 2 AC surge protector
- High energy discharge capacity(High duty)
- In: 40 kA, I<sub>max</sub>: 80kA
- I<sub>imp</sub>: 12.5 kA on 10/350μs impulse
- Unpluggable module for each phase
- Remote signaling
- EN 61643-11, IEC 61643-11 complied



Electrical Characteristics		
SPD type	IEC	1+2
Network		690 V
AC system		TN
Max. AC operating voltage	U <sub>c</sub>	760 Vac
Max. load current @25°C	I <sub>L</sub>	100 A
Temporary Over Voltage (TOV) Characteristics - 5 sec. <i>Without disconnection</i>	UT	1000 Vac withstand
Temporary Over Voltage (TOV) Characteristics - 120 mn <i>Without disconnection or with safety disconnection</i>	UT	1325 Vac disconnection
Residual Current <i>Leakage current to Ground</i>	I <sub>pe</sub>	None
Follow current	I <sub>f</sub>	None
Nominal discharge current <i>15 x 8/20 μs impulses</i>	I <sub>n</sub>	40 kA
Max. discharge current <i>max. withstand @ 8/20 μs by pole</i>	I <sub>max</sub>	80 kA
Impulse current by pole <i>max. withstand 10/350μs by pole</i>	I <sub>imp</sub>	12.5 kA
Specific energy by pole <i>max. withstand 10/350 μs</i>	W/R	40 kJ/ohm
Protection level <i>@ I<sub>n</sub> (8/20μs)</i>	U <sub>p</sub>	3.5 kV
Residual voltage at 5 kA <i>@ 5 kA (8/20μs)</i>	U <sub>p-5kA</sub>	2.3 kV
Admissible short-circuit current	I <sub>sc</sub>	25 000 A
Mechanical Characteristics		
Technology		MOV
SPD configuration		Single phase
Connection to Network		By screw terminals: 2.5-25mm <sup>2</sup> (35mm <sup>2</sup> rigid)
Format		1-pole modular box
Mounting		Symmetrical rail 35 mm (EN 60715)
Housing material		Thermoplastic UL94 V-0
Operating temperature	T <sub>u</sub>	-40/+85°C
Protection rating		IP20
Failsafe mode		Disconnection from AC network
Disconnection indicator		1 mechanical indicator by pole - Red/Green
Remote signaling of disconnection		Output on changeover contact
Wiring for remote signaling		1.5 mm <sup>2</sup> max.
Max. Voltage/Current for remote signaling		250 V / 0.5 A (AC) / 30 V / 3 A (DC)
Dimensions		See diagram - 4TE (EN43880)
Weight		0.800 kg
Disconnectors		
Thermal disconnector		Internal
Installation ground fault breaker		Type 'S' or delayed
Back-up protection device		Fuses Type gG - 125 A
Standards		
Standards compliance		EN 61643-11 / IEC 61643-11
Certification		TUV Süd
Part number		
<b>29112012</b>		

