



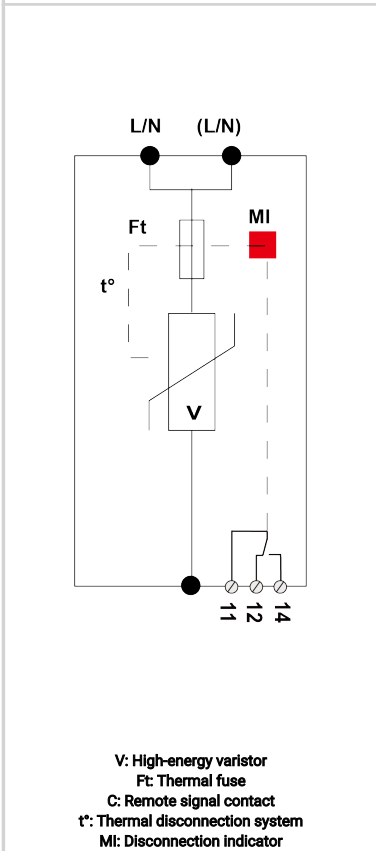
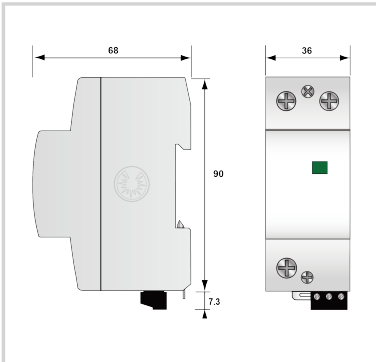
# CITEL

## Type 1+2 AC surge protector - 1-pole

### DACN1-13S-10-760



- Type 1 + 2 AC surge protector
- High energy discharge capacity (High duty)
- In: 40 kA, I<sub>max</sub>: 80kA
- I<sub>imp</sub>: 12.5 kA on 10/350µs impulse
- Unpluggable module for each phase
- Remote signaling
- EN 61643-11, IEC 61643-11 complied



| Electrical Characteristics   |                    |   |
|--|--------------------|---|
| SPD type   | IEC                | 1+2   |
| Max. AC operating voltage  | U <sub>c</sub>     | 760 Vac   |
| Max. load current @25°C  | I <sub>L</sub>     | 100 A   |
| Temporary Over Voltage (TOV) Characteristics - 5 sec.<br><i>Without disconnection</i>                              | UT                 | 1000 Vac withstand  |
| Temporary Over Voltage (TOV) Characteristics - 120 mn<br><i>Without disconnection or with safety disconnection</i> | UT                 | 1325 Vac disconnection  |
| Residual Current<br><i>Leakage current to Ground</i>   | I <sub>pe</sub>    | None  |
| Follow current   | I <sub>f</sub>     | None  |
| Nominal discharge current<br><i>15 x 8/20 µs impulses</i>  | I <sub>n</sub>     | 40 kA   |
| Max. discharge current<br><i>max. withstand @ 8/20 µs by pole</i>  | I <sub>max</sub>   | 80 kA   |
| Impulse current by pole<br><i>max. withstand 10/350µs by pole</i>  | I <sub>imp</sub>   | 12.5 kA   |
| Specific energy by pole<br><i>max. withstand 10/350 µs</i>   | W/R                | 40 kJ/ohm   |
| Protection level<br><i>@ I<sub>n</sub> (8/20µs)</i>  | U <sub>p</sub>     | 3.5 kV  |
| Residual voltage at 5 kA<br><i>@ 5 kA (8/20µs)</i>   | U <sub>p-5kA</sub> | 2.3 kV  |
| Admissible short-circuit current   | I <sub>sc</sub>    | 25 000 A  |
| Mechanical Characteristics   |                    |   |
| Technology   |                    | MOV   |
| SPD configuration  |                    | Single phase  |
| Connection to Network  |                    | By screw terminals: 2.5-25mm <sup>2</sup> (35mm <sup>2</sup> rigid) |
| Format   |                    | 1-pole modular box  |
| Mounting   |                    | Symmetrical rail 35 mm (EN 60715)                                   |
| Housing material   |                    | Thermoplastic UL94 V-0  |
| Operating temperature  | T <sub>u</sub>     | -40/+85°C   |
| Protection rating  |                    | IP20  |
| Failsafe mode  |                    | Disconnection from AC network                                       |
| Disconnection indicator  |                    | 1 mechanical indicator by pole - Red/Green                          |
| Remote signaling of disconnection  |                    | Output on changeover contact  |
| Wiring for remote signaling  |                    | 1.5 mm <sup>2</sup> max.  |
| Max. Voltage/Current for remote signaling  |                    | 250 V / 0.5 A (AC) / 30 V / 3 A (DC)                                |
| Dimensions   |                    | See diagram - 2TE (EN43880)   |
| Weight   |                    | 0.390 kg  |
| Disconnectors  |                    |   |
| Thermal disconnector   |                    | Internal  |
| Installation ground fault breaker  |                    | Type 'S' or delayed   |
| Back-up protection device  |                    | Fuses Type gG - 125 A   |
| Standards  |                    |   |
| Standards compliance   |                    | EN 61643-11 / IEC 61643-11  |
| Certification  |                    | TUV Süd   |
| Part number  |                    |   |
| <b>29111012</b>  |                    |   |

