

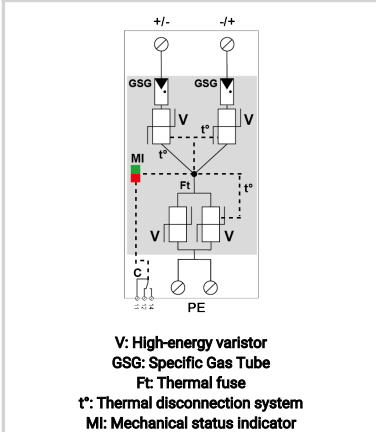
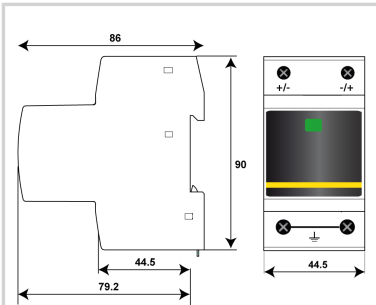


CITEL



DPVN1-6CVG-21Y-1500

- ▶ Type 1+2+3 surge protector for Photovoltaic
- ▶ CTC Technology
- ▶ VG Technology
- ▶ Impulse currents I_{imp}/I_{total} : 6.25/12.5 kA (10/350 μ s)
- ▶ Common/Differential mode protection
- ▶ IEC 61643-31, EN 61643-31, EN 50539-11, UL1449 ed.5 compliance
- ▶ Certified EN 61643-31 and IEC 61643-31



Electrical Characteristics

SPD type	IEC	1+2+3
Network		PV 1250 Vdc
Nominal PV voltage	Uocstc	1250 Vdc
Max. PV operating voltage	Ucpv	1500 Vdc
Residual Current Leakage current to Ground	Ipe	None
PV Permanent Operating current Current consumption at Ucpv	Icpv	None
Follow current	If	None
Nominal discharge current 15 x 8/20 μ s impulses	In	20 kA
Max. discharge current max. withstand @ 8/20 μ s by pole	I _{max}	40 kA
Total Maximum discharge current max. total withstand @ 8/20 μ s	I _{max} Total	60 kA
Impulse current by pole max. withstand 10/350 μ s by pole	I _{imp}	6.25 kA
Total lightning current max. total withstand @ 10/350 μ s	I _{total}	12.5 kA
Withstand on Combination waveform IEC 61643-11 Class III test: 1.2/50 μ s - 8/20 μ s	Uoc	6 kV
Current withstand short circuit PV	Iscpv	15 000 A
Connection mode(s)		+/-/PE
Protection mode(s)		Common/Differential mode
Protection level +/- @ In (8/20 μ s)	Up	4.8 kV
Protection level +/-PE (-/PE) @ In (8/20 μ s)	Up	4.8 kV
Protection level at 5 kA @ 5 kA (8/20 μ s)	Up	4,3 kV

Mechanical Characteristics

Technology		VG Technology (MOV+GSG)
Connection to Network		By screw terminals: 2.5-25mm ² (35mm ²) / by bus
Format		Compact monobloc box
Mounting		Symmetrical rail 35 mm (EN 60715)
Housing material		Thermoplastic UL94 V-0
Operating temperature	Tu	-40/+85°C
Protection rating		IP20
Failsafe mode		All pole disconnection from PV network
Disconnection indicator		1 mechanical indicator - Red/Green
Remote signaling of disconnection		Option DPVN1-6CVGS-21Y-1500 - output on changeover contact
Dimensions		See diagram - 2.5TE (EN43880)

Disconnectors

Thermal disconnector		CTC Technology integrated
Back-up protection device		Without

Standards

Standards compliance		IEC 61643-31 / EN 61643-31 / EN 50539-11 / UL1449 ed.5
Certification		KEMA

Part number

65221103

