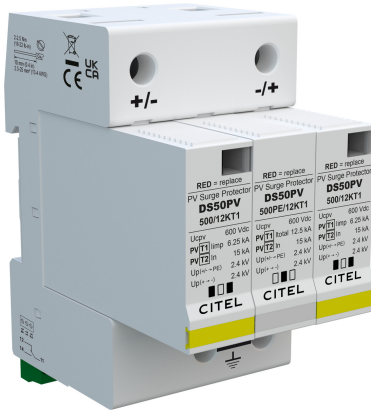




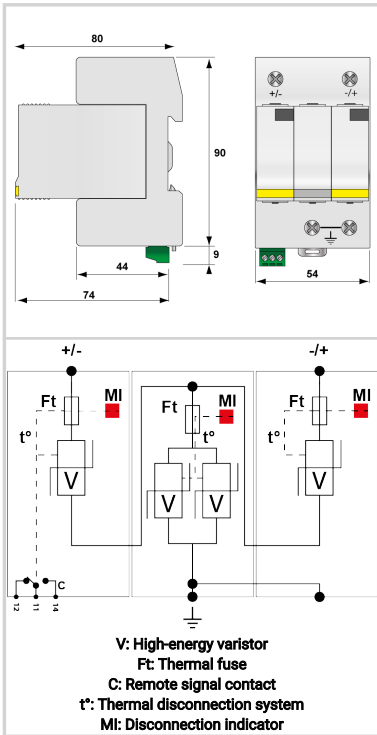
# CITEL

## Type 1+2 PV surge protector - 500 V

### DS50PVS-500/12KT1



- Type 1+2 surge protector for Photovoltaic
- Impulse currents  $I_{imp}/I_{total}$ : 6.25/12.5 kA (10/350 $\mu$ s)
- Max. discharge current  $I_{max}/I_{max}$  Total: 40/60 kA (8/20 $\mu$ s)
- Remote signaling
- IEC 61643-31, EN 61643-31, EN 50539-11 and UL1449 ed.5 compliance



Electrical Characteristics		
SPD type	IEC	1+2
Network		PV 500 Vdc
Nominal PV voltage	Uocstc	500 Vdc
Max. PV operating voltage	Ucpv	600 Vdc
Residual Current <i>Leakage current to Ground</i>	Ipe	< 0.2 mA
PV Permanent Operating current <i>Current consumption at Ucpv</i>	Icpv	< 0.1 mA
Follow current	If	None
Nominal discharge current <i>15 x 8/20 <math>\mu</math>s impulses</i>	In	15 kA
Max. discharge current <i>max. withstand @ 8/20 <math>\mu</math>s by pole</i>	I <sub>max</sub>	40 kA
Total Maximum discharge current <i>max. total withstand @ 8/20 <math>\mu</math>s</i>	I <sub>max</sub> Total	60 kA
Impulse current by pole <i>max. withstand 10/350<math>\mu</math>s by pole</i>	I <sub>imp</sub>	6.25 kA
Total lightning current <i>max. total withstand @ 10/350<math>\mu</math>s</i>	I <sub>total</sub>	12.5 kA
Current withstand short circuit PV	Iscpv	15 000 A
Connection mode(s)		+/-/PE
Protection mode(s)		Common/Differential mode
Residual voltage at 5 kA <i>@ 5 kA (8/20<math>\mu</math>s)</i>	Up-5kA	1.9 kV
Protection level +/- <i>@ In (8/20<math>\mu</math>s)</i>	Up	2.4 kV
Protection level +/-PE (-/PE) <i>@ In (8/20<math>\mu</math>s)</i>	Up	2.4 kV
Mechanical Characteristics		
Technology		MOV
Connection to Network		By screw terminals: 2.5-25mm <sup>2</sup>
Format		Plug-in modular box
Mounting		Symmetrical rail 35 mm (EN 60715)
Housing material		Thermoplastic UL94 V-0
Operating temperature	Tu	-40/+85°C
Protection rating		IP20
Disconnection indicator		3 mechanical indicators
Spare module(s)		DSM50PV-500/12KT1 + DSM50PV-500PE/12KT1 (central module)
Remote signaling of disconnection		Output on changeover contact
Dimensions		See diagram
Weight		0.430 kg
Disconnectors		
Thermal disconnector		Internal
Back-up protection device		Without
Standards		
Standards compliance		IEC 61643-31 / EN 61643-31 / EN 50539-11 / UL1449 ed.5
Certification		
Part number		
<b>482113</b>		

