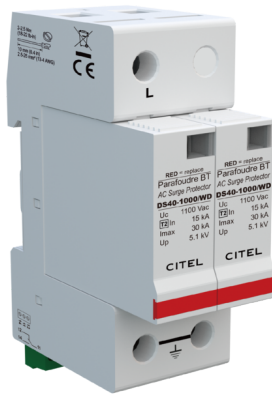
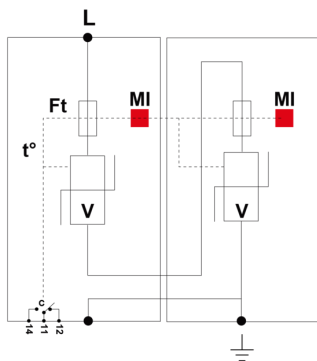
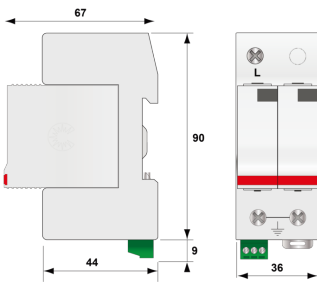


## DS41S-1000/WD



- ✦ Type 2 AC surge protector
- ✦ In: 15 kA
- ✦ I<sub>max</sub> total: 30 kA
- ✦ Pluggable module for each phase
- ✦ Remote signaling
- ✦ NF EN 61643-11, IEC 61643-11 compliance



V: High-energy varistor  
 Ft: Thermal fuse  
 C: Remote signal contact  
 t°: Thermal disconnection system  
 MI: Disconnection indicator

Electrical Characteristics		
Network		400/690 V
Nominal line voltage	Un	690 Vac
Max. AC operating voltage	Uc	1100 Vac
Temporary Over Voltage (TOV) Characteristics - 5 sec. Without disconnection	UT	1450 Vac withstand
Temporary Over Voltage (TOV) Characteristics - 120 mn Without disconnection or with safety disconnection	UT	1900 Vac disconnection
Follow current	If	None
Nominal discharge current 15 x 8/20 µs impulses	In	15 kA
Max. discharge current max. withstand @ 8/20 µs by pole	I <sub>max</sub>	30 kA
Connection mode(s)		L/N or N/PE
Protection mode(s)		Common/Differential mode
Protection level @ In (8/20µs)	Up	5.1 kV
Admissible short-circuit current	I <sub>sc</sub>	25 000 A
Mechanical Characteristics		
Technology		MOV
SPD configuration		2-poles
Connection to Network		By screw terminals: 2.5-25mm <sup>2</sup> / by bus
Format		Plug-in modular box
Mounting		Symmetrical rail 35 mm (EN 60715)
Housing material		Thermoplastic UL94 V-0
Operating temperature	Tu	-40/+85°C
Protection rating		IP20
Failsafe mode		Disconnection from AC network
Disconnection indicator		2 mechanical indicators
Spare module(s)		DSM40-1000/WD
Remote signaling of disconnection		Output on changeover contact
Dimensions		See diagram
Weight		0.234 kg
Disconnectors		
Thermal disconnector		Internal
Installation ground fault breaker		Type 'S' or delayed
Back-up protection device		Fuses type gG - 50 A
Standards		
Standards compliance		EN 61643-11 / IEC 61643-11
Part number		
4629212125		