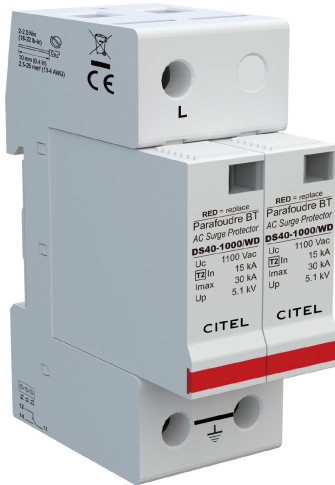




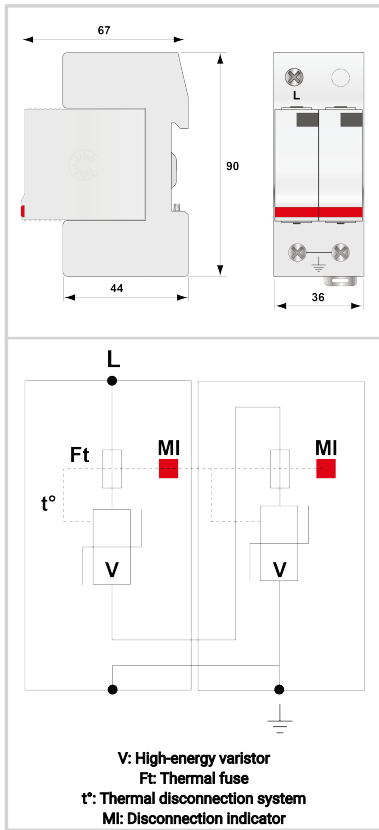
CITEL



Type 2 AC surge protector - 1-pole - pluggable

DS41-1000/WD

- Type 2 AC surge protector
- In : 15 kA
- Imax : 30 kA
- Pluggable module for each phase
- Remote signaling option
- NF EN 61643-11, IEC 61643-11 compliance



Electrical Characteristics		
SPD type	IEC	2
Network		1000 Vac
Nominal line voltage	Un	1000 Vac
Max. AC operating voltage	Uc	1100 Vac
Temporary Over Voltage (TOV) Characteristics - 5 sec. Without disconnection	UT	1450 Vac withstand
Temporary Over Voltage (TOV) Characteristics - 120 mn Without disconnection or with safety disconnection	UT	1900 Vac disconnection
Residual Current Leakage current to Ground	Ipe	< 0.5 mA
Follow current	If	None
Nominal discharge current 15 x 8/20 μs impulses	In	15 kA
Max. discharge current max. withstand @ 8/20 μs by pole	Imax	30 kA
Connection mode(s)		L/PE
Protection mode(s)		Common mode
Protection level @ In (8/20μs)	Up	5.1 kV
Admissible short-circuit current	Iscsr	25 000 A
Mechanical Characteristics		
Technology		MOV
SPD configuration		Single phase
Connection to Network		By screw terminals: 2.5-25mm ² / by bus
Format		Plug-in modular box
Mounting		Symmetrical rail 35 mm (EN 60715)
Housing material		Thermoplastic UL94 V-0
Operating temperature	Tu	-40/+85°C
Protection rating		IP20
Failsafe mode		Disconnection from AC network
Disconnection indicator		1 mechanical indicator
Spare module(s)		DSM40-1000/WD
Remote signaling of disconnection		option DS41S-1000/WD : output on changeover contact
Dimensions		See diagram
Weight		0.232 kg
Disconnectors		
Thermal disconnector		Internal
Installation ground fault breaker		Type 'S' or delayed
Back-up protection device		Fuses type gG - 50 A
Standards		
Standards compliance		IEC 61643-11 / EN 61643-11
Certification		
Part number		
4629012125		

