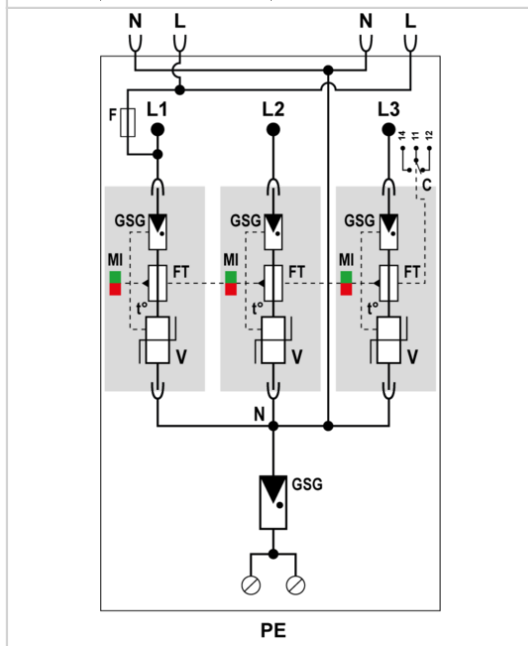
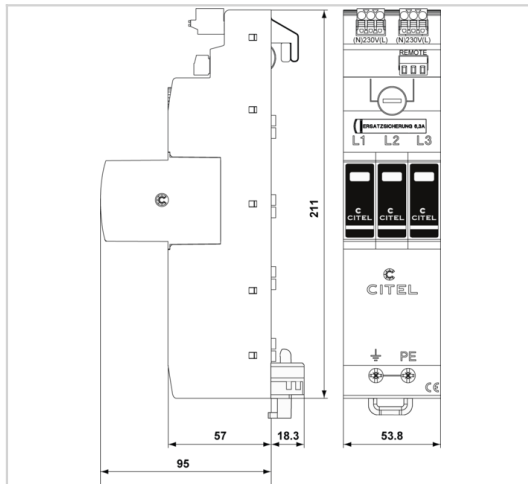


ZPAC1-8VG-PRO-SU



- ✦ Type 1+2+3 combined SPD based on a gas-filled spark gap
- ✦ 10-year guarantee
- ✦ Discharge capacity per pole: $I_{imp} = 8 \text{ kA}$ (10/350 μs)
- ✦ Operating and leakage current-free
- ✦ Individually pluggable protection modules: sustainable solution, cost-effective maintenance
- ✦ Complies with the IEC 61643-11 and EN 61643-11 standards
- ✦ VDE-AR-N 4100 compliant "Use of surge protective devices (SPD) type 1 in main power supply systems"
- ✦ Integrated fuse
- ✦ Dual voltage tap for RFZ and APZ
- ✦ Potential-free remote signaling contact



Electrical Characteristics		
SPD type	IEC	1+2+3
Network		230/400 V 3-phase+N
AC system		TT-TNS
Nominal line voltage	Un	230/400 Vac
Max. AC operating voltage	Uc	275 Vac
Temporary Over Voltage (TOV) Characteristics - 5 sec. Without disconnection	UT	335 Vac withstand
Temporary Over Voltage (TOV) Characteristics - 120 mn Without disconnection or with safety disconnection	UT	440 Vac withstand
Temporary Over Voltage N/PE (TOV HT) Without disconnection or with safety disconnection	UT	1200 V/300A/200 ms withstand
Residual Current Leakage current to Ground	I _{pe}	None
Follow current	I _f	None
Nominal discharge current 15 x 8/20 μs impulses	I _n	20 kA
Max. discharge current max. withstand @ 8/20 μs by pole	I _{max}	50 kA
Impulse current by pole max. withstand 10/350 μs by pole	I _{imp}	8 kA
Total lightning current max. total withstand @ 10/350 μs	I _{total}	32 kA
Withstand on Combination waveform IEC 61643-11 Class III test: 1.2/50 μs - 8/20 μs	U _{oc}	6 kV
Withstand on overvoltages IEEE C62.41.1		20 kV
Specific energy by pole max. withstand 10/350 μs	W/R	16 kJ/ohm
Connection mode(s)		L/N and N/PE
Protection mode(s)		Common/Differential mode
Protection level L/N @ I _n (8/20 μs)	Up L/N	1.5 kV
Protection level L/PE @ I _n (8/20 μs)	Up L/PE	1.5 kV
Residual voltage L/N at 5 kA @ 5 kA (8/20 μs)	Up-5kA	0.7 kV
Admissible short-circuit current	I _{scrr}	50 000 A
Mechanical Characteristics		
Technology		VG Technology (MOV+GSG)
SPD configuration		3-phase+Neutral
Connection to Network		By 40mm busbar and wire for PE: 6-35mm ² (50mm ²)
Format		Plug-in modular box
Mounting		40 mm busbar systems
Housing material		Thermoplastic UL94 V-0
Operating temperature	Tu	-40/+85°C
Protection rating		IP20
Failsafe mode		Disconnection from AC network
Disconnection indicator		1 mechanical indicator by pole
Spare module(s)		ZMDAC1-8VG-PRO-275
Remote signaling of disconnection		Output on changeover contact
Wiring for remote signaling		1.5 mm ² max.
Max. Voltage/Current for remote signaling		250 V / 0.5 A (AC) / 30 V / 2 A (DC)
Dimensions		See diagram
Weight		0.688 kg
Disconnectors		
Thermal disconnector		Internal
Installation ground fault breaker		Type 'S' or delayed
Back-up protection device		max. 315 A (gL/gG)
Standards		

ZPAC1-8VG-PRO-SU

Standards compliance	IEC 61643-11 / EN 61643-11 / UL1449 4ed.
Certification	KEMA
Part number	
64085	