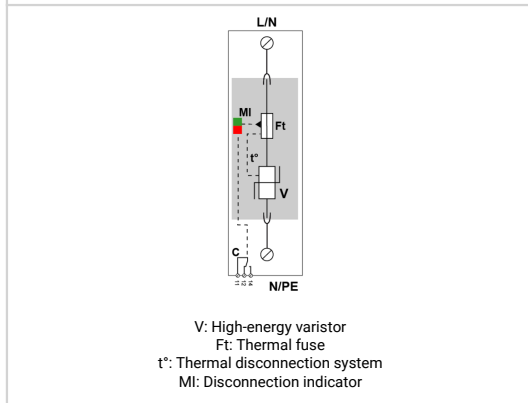
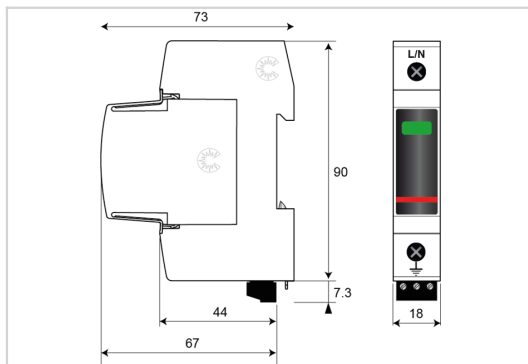


DAC80S-10-385


- ✦ Re-inforced Type 2 AC surge protector
- ✦ In: 40 kA
- ✦ Imax: 80 kA
- ✦ Pluggable module for each phase
- ✦ Remote signaling
- ✦ EN 61643-11, IEC 61643-11 certified
- ✦ UL1449 ed.5 compliance



Electrical Characteristics		
SPD type	IEC	2
Max. AC operating voltage	Uc	385 Vac
Temporary Over Voltage (TOV) Characteristics - 5 sec. Without disconnection	UT	500 Vac withstand
Temporary Over Voltage (TOV) Characteristics - 120 mn Without disconnection or with safety disconnection	UT	650 Vac disconnection
Residual Current Leakage current to Ground	Ipe	< 1 mA
Follow current	If	None
Nominal discharge current 15 x 8/20 μs impulses	In	40 kA
Max. discharge current max. withstand @ 8/20 μs by pole	Imax	80 kA
Protection level @ In (8/20μs)	Up	1.8 kV
Admissible short-circuit current	Iscpr	50 000 A
Mechanical Characteristics		
Technology		MOV
SPD configuration		Single phase
Connection to Network		By screw terminals: 2.5-25mm ² (35mm ² rigid)
Format		Plug-in modular box
Mounting		Symmetrical rail 35 mm (EN 60715)
Housing material		Thermoplastic UL94 V-0
Operating temperature	Tu	-40/+85°C
Protection rating		IP20
Failsafe mode		Disconnection from AC network
Disconnection indicator		1 mechanical indicator - Red/Green
Spare module(s)		MDAC80-385
Remote signaling of disconnection		Output on changeover contact
Max. Voltage/Current for remote signaling		250 V / 0.5 A (AC) / 30 V / 3 A (DC)
Dimensions		See diagram - 1TE (EN43880)
Weight		0.157 kg
Disconnectors		
Thermal disconnector		Internal
Installation ground fault breaker		Type 'S' or delayed
Back-up protection device		Fuses Type gG - 125 A
Standards		
Standards compliance		IEC 61643-11 / EN 61643-11 / UL1449 ed.5
Certification		KEMA
Part number		
821210521		