



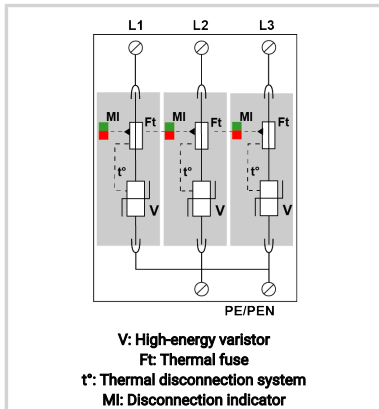
# CITEL

## Type 2 AC surge protector - Re-inforced - pluggable

### DAC80-30-320



- Re-inforced Type 2 AC surge protector
- In : 40 kA
- Imax : 80 kA
- Pluggable module for each phase
- Remote signaling option
- EN 61643-11, IEC 61643-11 certified
- UL1449 ed.5 compliance



#### Electrical Characteristics

SPD type	IEC	2
Network		230/400 V
AC system		TNC
Max. AC operating voltage	Uc	320 Vac
Temporary Over Voltage (TOV) Characteristics - 5 sec. Without disconnection	UT	335 Vac withstand
Temporary Over Voltage (TOV) Characteristics - 120 mn Without disconnection or with safety disconnection	UT	440 Vac disconnection
Residual Current Leakage current to Ground	Ipe	< 1 mA
Follow current	If	None
Nominal discharge current 15 x 8/20 μs impulses	In	40 kA
Max. discharge current max. withstand @ 8/20 μs by pole	Imax	80 kA
Protection mode(s)		L/PE
Protection level @ In (8/20 μs)	Up	1.6kV
Admissible short-circuit current	Isc cr	50 000 A

#### Mechanical Characteristics

Technology		MOV
Connection to Network		By screw terminals: 2.5-25mm <sup>2</sup> (35mm <sup>2</sup> rigid)
Format		Plug-in modular box
Mounting		Symmetrical rail 35 mm (EN 60715)
Housing material		Thermoplastic UL94 V-0
Operating temperature	Tu	-40/+85°C
Protection rating		IP20
Failsafe mode		Disconnection from AC network
Disconnection indicator		1 mechanical indicator by pole - Red/Green
Spare module(s)		MDAC80-320
Remote signaling of disconnection		option DAC80S-30-320 : output on changeover contact
Dimensions		See diagram - 3 TE (EN43880)
Weight		0.364 kg

#### Disconnectors

Thermal disconnector		Internal
Installation ground fault breaker		Type 'S' or delayed
Back-up protection device		Fuses Type gG - 125 A

#### Standards

Standards compliance		IEC 61643-11 / EN 61643-11 / UL1449 ed.5
Certification		KEMA

#### Part number

**821210313**

