

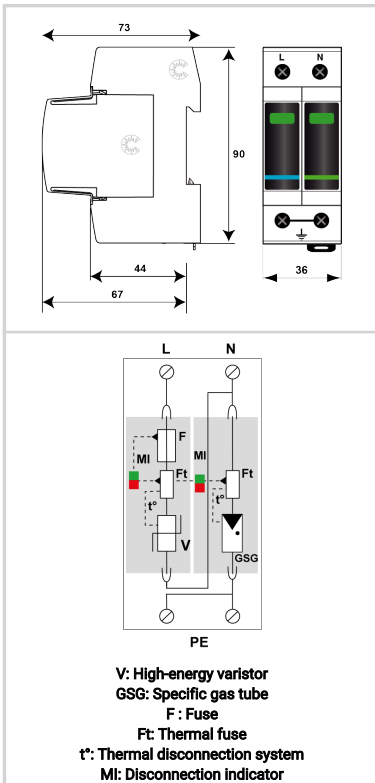


CITEL

DACF15-11-150



- ▶ Type 2 (or 3) AC surge protector
- ▶ Internal Disconnection device
- ▶ Low caliber of the internal connector = systematic coordination with upstream circuit breaker
- ▶ In : 5 kA
- ▶ I<sub>max</sub> : 15 kA
- ▶ Pluggable module for each phase
- ▶ Remote signaling option
- ▶ EN 61643-11, IEC 61643-11, UL1449 ed.5 compliance



Electrical Characteristics		
SPD type	IEC	2+3
Network		120/208 V
AC system		TT-TN
Max. AC operating voltage	U <sub>c</sub>	150 Vac
Temporary Over Voltage (TOV) Characteristics - 5 sec. Without disconnection	UT	180 Vac withstand
Temporary Over Voltage (TOV) Characteristics - 120 mn Without disconnection or with safety disconnection	UT	230 Vac withstand
Temporary Over Voltage N/PE (TOV HT) Without disconnection or with safety disconnection	UT	1200 V/300A/200 ms withstand
Residual Current Leakage current to Ground	I <sub>pe</sub>	None
Follow current	I <sub>f</sub>	None
Nominal discharge current 15 x 8/20 μs impulses	I <sub>n</sub>	5 kA
Max. discharge current max. withstand @ 8/20 μs by pole	I <sub>max</sub>	15 kA
Withstand on Combination waveform IEC 61643-11 Class III test: 1.2/50μs - 8/20μs	U <sub>oc</sub>	10 kV
Protection level L/N @ I <sub>n</sub> (8/20μs)	Up L/N	0.6 kV
Protection level N/PE @ I <sub>n</sub> (8/20μs)	Up N/PE	1.5 kV
Admissible short-circuit current	I <sub>scrr</sub>	100 000 A
Mechanical Characteristics		
Technology		MOV+GDT
SPD configuration		Single phase
Connection to Network		By screw terminals: 2.5-25mm <sup>2</sup> (35mm <sup>2</sup> rigid)
Format		Plug-in modular box
Mounting		Symmetrical rail 35 mm (EN 60715)
Housing material		Thermoplastic UL94 V-0
Operating temperature	T <sub>u</sub>	-40/+85°C
Protection rating		IP20
Failsafe mode		Disconnection from AC network
Disconnection indicator		1 mechanical indicator - Red/Green
Spare module(s)		MDACF15-150 + MDAC50G-255
Remote signaling of disconnection		option DACF15S-11-150 : output on changeover contact
Wiring for remote signaling		1.5 mm <sup>2</sup> max.
Dimensions		See diagram - 1TE (EN43880)
Disconnectors		
Thermal disconnector		Internal
Installation ground fault breaker		Type 'S' or delayed
Back-up protection device		internal (equivalent AC rating : 25 A, gG Type)
Standards		
Standards compliance		IEC 61643-11 / EN 61643-11
Part number		
<b>821310132</b>		

