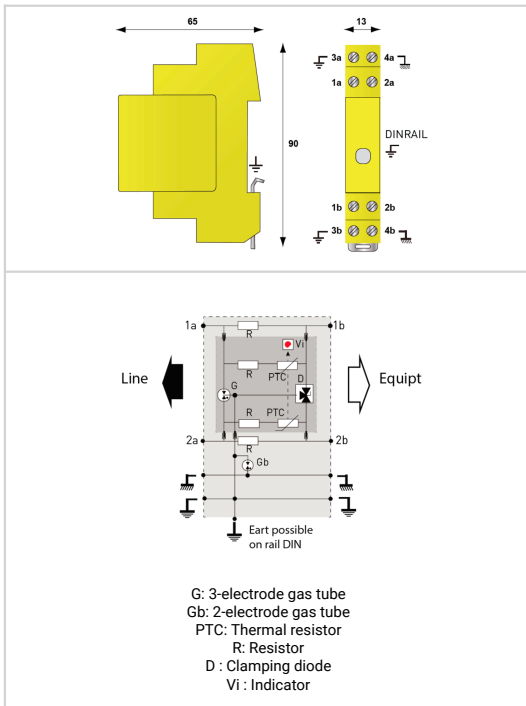


DLAS1-24D3



- ✔ 1-pair Pluggable SPD for dataline
- ✔ Visual indicator in failsafe behaviour
- ✔ Without line cut-off
- ✔ Line voltage 24 Vdc
- ✔ Din rail mounting, Screw terminals
- ✔ IEC/EN 61643-21 and UL497B compliance



Electrical Characteristics		
Network		4-20 mA
Max. DC operating voltage	Uc	28 Vdc
Max. frequency	f max.	> 3 MHz
Max. load current @25°C	IL	300 mA
Max. discharge current max. withstand @ 8/20 µs by pole	Imax	20 kA
Line inductance (± 10 %)		non
Protection Level C3 (10/1000µs), 300 applications@10 A, X-X (Line/Line)	Up	40 V
Protection level C3 (10/1000µs), 300 applications@10 A, X-C (Line/Earth)	Up	40 V
Impulse current 2 x 10/350µs Test - D1 Category	Iimp	5 kA
Line/Line Nominal discharge current C2 Category	In L/L	5 kA
Nominal Discharge Current, X-C (Line/Earth) 8/20µs Test x 10 - C2 Category	In L/PE	5 kA
Line resistance (± 10%)		4.7 Ohm
ELEC		
Nominal line voltage	Un	24 V
Mechanical Characteristics		
Technology		GDT+Clamping diode+PTC (thermal resistor) + Resistor
SPD configuration		1-pair+shielded
Connection to Network		By screw terminal: cross section 0.5-2.5mm ²
Format		Plug-in DIN box
Mounting		Symmetrical rail 35 mm (EN 60715)
Housing material		Thermoplastic UL94 V-0
Operating temperature	Tu	-40/+85°C
Protection rating		IP20
Failsafe mode		Opening line - transmission cut-off - fault mode 2
Disconnection indicator		Visual indicator is red
Spare module(s)		DLAS1M-24D3
Dimensions		See diagram
Standards		
Standards compliance		IEC 61643-21 / EN 61643-21 / UL497B
Certification		UL Listed
Part number		
6415031		