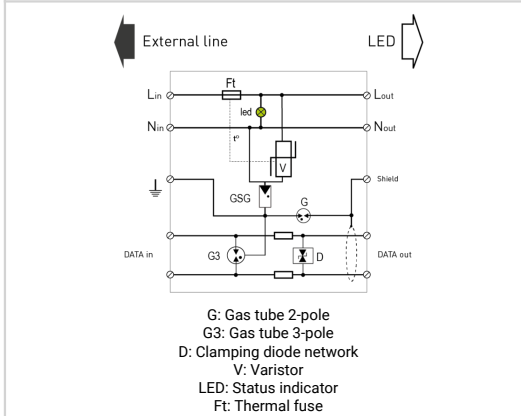
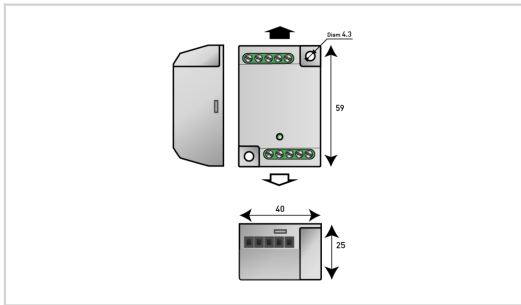


## MLPC1-230L-V/DL



- ✦ Type 2 (or 3) surge protector for Class 1 LED Lighting
- ✦ Combined AC/Dataline surge protection
- ✦ DALI, DMX, RS485, 0-10V datalines compliance
- ✦ Shield wire management
- ✦ Optimized coordination with driver (option : MLPCH1-230L-V/DL)
- ✦ Compact dimensions
- ✦ Screw connection
- ✦ Max. discharge current 10 kA
- ✦ Certified IEC 61643-11 and IEC 61643-21



Electrical Characteristics	
Network	230 V single-phase
AC system	TT-TN
Max. Data operating voltage	Uc 28 Vdc
Max. AC operating voltage	Uc 320 Vac
Max. load current @25°C	IL 5 A
Temporary Over Voltage (TOV) Characteristics - 5 sec. Without disconnection	UT 335 Vac withstand
Temporary Over Voltage (TOV) Characteristics - 120 mn Without disconnection or with safety disconnection	UT 440 Vac disconnection
Residual Current Leakage current to Ground	Ipe None
Nominal discharge current 15 x 8/20 µs impulses	In 5 kA
Max. discharge current max. withstand @ 8/20 µs by pole	Imax 10 kA
Withstand on Combination waveform IEC 61643-11 Class III test: 1.2/50µs - 8/20µs	Uoc 10 kV / 5 kA
Protection mode(s)	Common/Differential mode
Protection level L/N @ In (8/20µs)	Up L/N 1.5 kV
Protection level N/PE @ In (8/20µs)	Up N/PE 1.5 kV
Nominal discharge current C2 Category	In 5 kA
Admissible short-circuit current	Iscrc 10 000 A
Mechanical Characteristics	
Technology	MOV+GDT
Connection to Network	By screw terminal: 1.5mm <sup>2</sup> max.
Mounting	On plate
Housing material	Thermoplastic UL94 V-0
Operating temperature	Tu -40/+85°C
Protection rating	IP20
Failsafe mode	Disconnection, Green Led OFF and power cut off
Disconnection indicator	LED green OFF and AC network cut-off
Dimensions	See diagram
Weight	0.055 kg
Standards	
Standards compliance	IEC 61643-11 / EN 61643-11 / IEC 61643-21 / EN 61643-21 / UL1449 ed.5
Certification	KEMA / ENEC05
Part number	831223

