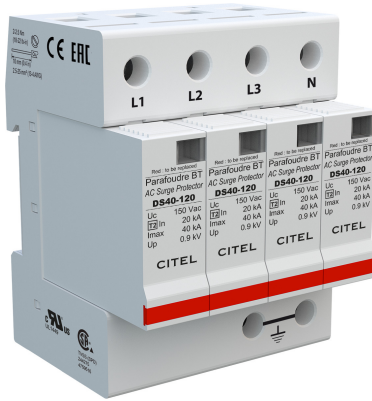




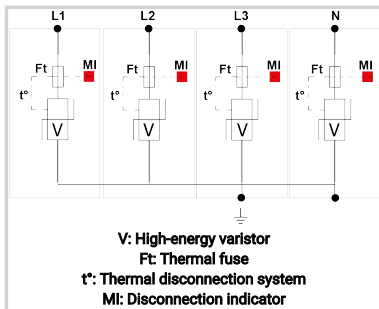
CITEL

Type 2 AC surge protector - 3-phase+N

DS44-120



- › Discover our latest innovation : the [DAC50-40-150](#)
- › Type 2 AC Multipolar surge protector
- › In : 20 kA
- › I_{max} total : 160 kA
- › Pluggable module for each phase
- › Remote signaling option
- › NF EN 61643-11, IEC 61643-11 compliance
- › UL1449 ed.5



Electrical Characteristics

SPD type	IEC	2
Network		120/208 V 3-phase+N
AC system		TNS
Nominal line voltage	U _n	120 Vac
Max. AC operating voltage	U _c	150 Vac
Temporary Over Voltage (TOV) Characteristics - 5 sec. <i>Without disconnection</i>	UT	180 Vac withstand
Temporary Over Voltage (TOV) Characteristics - 120 mn <i>Without disconnection or with safety disconnection</i>	UT	230 Vac disconnection
Residual Current <i>Leakage current to Ground</i>	I _{pe}	< 1 mA
Follow current	I _f	None
Nominal discharge current <i>15 x 8/20 μs impulses</i>	I _n	20 kA
Max. discharge current <i>max. withstand @ 8/20 μs by pole</i>	I _{max}	40 kA
Total Maximum discharge current <i>max. total withstand @ 8/20 μs</i>	I _{max} Total	160 kA
Connection mode(s)		L/PE and N/PE
Protection mode(s)		Common mode
Residual voltage at 5 kA <i>@ 5 kA (8/20 μs)</i>	Up-5kA	0.6 kV
Protection level N/PE <i>@ I_n (8/20 μs)</i>	Up N/PE	0.9 kV
Protection level L/PE <i>@ I_n (8/20 μs)</i>	Up L/PE	1.2 kV
Admissible short-circuit current	I _{sc}	25 000 A

Mechanical Characteristics

Technology		MOV
SPD configuration		3-phase+Neutral
Connection to Network		By screw terminals: 2.5-25mm ² / by bus
Format		Plug-in modular box
Mounting		Symmetrical rail 35 mm (EN 60715)
Housing material		Thermoplastic UL94 V-0
Operating temperature	T _u	-40/+85°C
Protection rating		IP20
Failsafe mode		Disconnection from AC network
Disconnection indicator		1 mechanical indicator by pole
Spare module(s)		DSM40-120
Remote signaling of disconnection		option DS44S-120 : output on changeover contact
Dimensions		See diagram

Disconnectors

Thermal disconnector		Internal
Installation ground fault breaker		Type 'S' or delayed
Back-up protection device		Fuses type gG - 50 A

Standards

Standards compliance		IEC 61643-11 / EN 61643-11 / UL1449 ed.5
Certification		cRUus

Part number

461602

