



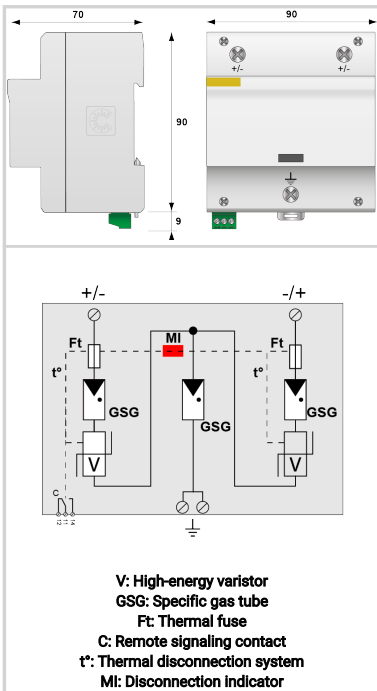
# CITEL

## Type 1+2 PV surge protector - 1500 Vdc

### DS60VGPV-1500G/51



- Type 1+2 surge protector for photovoltaic
- VG technology
- Ucpv: 1500 Vdc
- No leakage, no operating currents
- Improved life expectancy
- Iimp: 12,5 kA/pole
- Itotal: 25 kA
- Common/Differential mode protection
- Remote signaling
- IEC 61643-31, EN 61643-31, EN 50539-11 compliance



#### Electrical Characteristics

SPD type	IEC	1+2
Network		PV 1250 Vdc
Nominal PV voltage	Uocstc	1250 Vdc
Max. PV operating voltage	Ucpv	1500 Vdc
Residual Current		
Leakage current to Ground	Ipe	None
PV Permanent Operating current	Icpv	None
Current consumption at Ucpv		
Follow current	If	None
Nominal discharge current	In	20 kA
15 x 8/20 μs impulses		
Max. discharge current	I <sub>max</sub>	40 kA
max. withstand @ 8/20 μs by pole		
Impulse current by pole	I <sub>imp</sub>	12.5 kA
max. withstand 10/350 μs by pole		
Total lightning current	I <sub>total</sub>	25 kA
max. total withstand @ 10/350 μs		
Current withstand short circuit PV	I <sub>scpv</sub>	15 000 A
Connection mode(s)		+/-/PE
Protection mode(s)		Common/Differential mode
Protection level +/-	Up	5.4 kV
@ In (8/20 μs)		
Protection level +/-PE (-/PE)	Up	4.7 kV
@ In (8/20 μs)		

#### Mechanical Characteristics

Technology		VG Technology (MOV+GSG)
Connection to Network		By screw terminals: 6-35mm <sup>2</sup>
Format		1-pole modular box
Mounting		Symmetrical rail 35 mm (EN 60715)
Housing material		Thermoplastic UL94 V-0
Operating temperature	Tu	-40/+85°C
Protection rating		IP20
Failsafe mode		Disconnection SPD of the PV line
Disconnection indicator		1 mechanical indicator
Remote signaling of disconnection		Output on changeover contact - 250 Vac/0.5 A (AC) - 30 Vdc/3A (DC)
Dimensions		See diagram
Weight		0.67 kg

#### Disconnectors

Thermal disconnector		Internal
Back-up protection device		Without

#### Standards

Standards compliance		IEC 61643-31 / EN 61643-31 / EN 50539-11
Certification		

#### Part number

3956

