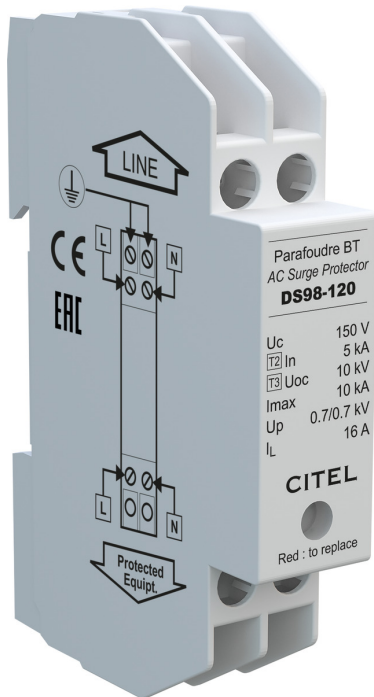
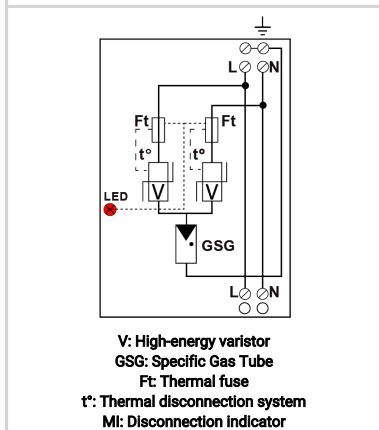
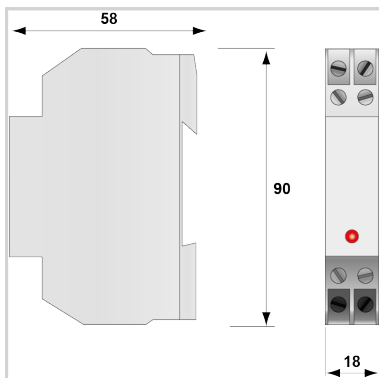




CITEL



- ▶ Discover our latest innovation : the [DACN10-11-150](#)
- ▶ Cost effective single-phase surge protector
- ▶ Type 2 (or 3) monobloc
- ▶ In : 5 kA
- ▶ I_{max} : 10 kA
- ▶ Common/Differential mode
- ▶ Series or parallel wiring
- ▶ EN 61643-11, IEC 61643-11, UL1449 ed.5 compliance



Electrical Characteristics

| | | |
|--|---------------------|--------------------------|
| SPD type | IEC | 2+3 |
| Network | | 120/208 V |
| AC system | | TN |
| Nominal line voltage | U _n | 120 Vac |
| Max. AC operating voltage | U _c | 150 Vac |
| Max. load current @25°C | I _L | 16 A |
| Temporary Over Voltage (TOV) Characteristics - 5 sec. <i>Without disconnection</i> | UT | 180 Vac withstand |
| Temporary Over Voltage (TOV) Characteristics - 120 mn <i>Without disconnection or with safety disconnection</i> | UT | 230 Vac disconnection |
| Residual Current <i>Leakage current to Ground</i> | I _{pe} | None |
| Follow current | I _f | None |
| Nominal discharge current <i>15 x 8/20 μs impulses</i> | I _n | 5 kA |
| Max. discharge current <i>max. withstand @ 8/20 μs by pole</i> | I _{max} | 10 kA |
| Withstand on Combination waveform IEC 61643-11 <i>Class III test: 1.2/50μs - 8/20μs</i> | U _{oc} | 10 kV |
| Withstand on overvoltages IEEE C62.41.1 | | 10 kV |
| Protection mode(s) | | Common/Differential mode |
| Protection level L/N <i>@ I_n (8/20μs)</i> | U _p L/N | 0.7 kV |
| Protection level N/PE <i>@ I_n (8/20μs)</i> | U _p N/PE | 0.7 kV |
| Admissible short-circuit current | I _{sc} | 10 000 A |

Mechanical Characteristics

| | | |
|-----------------------------------|----------------|---|
| SPD configuration | | Single phase |
| Connection to Network | | By screw terminals: 2.5mm ² max. |
| Format | | Monobloc modular box |
| Mounting | | Symmetrical rail 35 mm (EN 60715) |
| Housing material | | Thermoplastic UL94 V-0 |
| Operating temperature | T _u | -40/+85°C |
| Protection rating | | IP20 |
| Failsafe mode | | Disconnection from AC network |
| Disconnection indicator | | Red light on |
| Remote signaling of disconnection | | option DS98S-120 |
| Dimensions | | See diagram |

Disconnectors

| | | |
|-----------------------------------|--|---------------------|
| Thermal disconnector | | Internal |
| Installation ground fault breaker | | Type 'S' or delayed |
| Back-up protection device | | Fuses type gG - 20A |

Standards

| | | |
|----------------------|--|--|
| Standards compliance | | IEC 61643-11 / EN 61643-11 / UL1449 ed.5 |
| Certification | | |

Part number



CITEL

Compact single-phase type 2 (or 3) surge protector - 120 V - Monobloc

DS98-120

3509012

