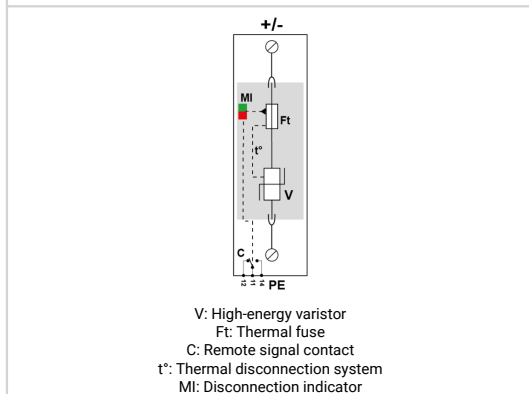
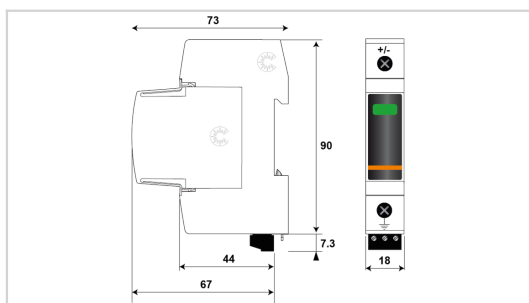




- ✦ Combined SPD Type 1+2 for DC supplies, 1-pole
- ✦ Type 1 + 2
- ✦ In: 20 kA / I<sub>max</sub>: 30 kA
- ✦ I<sub>imp</sub>: 4kA
- ✦ Pluggable module
- ✦ Remote signaling
- ✦ prIEC 61643-41 compliance



Electrical Characteristics			
SPD type	IEC	1+2	
Nominal DC voltage	Un-dc	75 Vdc	
Max. AC operating voltage	Uc	60 Vac	
Max. DC operating voltage	Uc	85 Vdc	
Residual Current Leakage current to Ground	I <sub>pe</sub>	< 0.2 mA	
Follow current	I <sub>f</sub>	None	
Nominal discharge current 15 x 8/20 μs impulses	I <sub>n</sub>	20 kA	
Max. discharge current max. withstand @ 8/20 μs by pole	I <sub>max</sub>	30 kA	
Impulse current by pole max. withstand 10/350μs by pole	I <sub>imp</sub>	4 kA	
Connection mode(s)		+/-PE or -/PE	
Protection level +/-PE (-/PE) @ I <sub>n</sub> (8/20μs)	U <sub>p</sub>	390 V / -	
Admissible short-circuit current	I <sub>sc</sub>	50 000 A	
Mechanical Characteristics			
Technology		MOV	
SPD configuration		Single phase	
Connection to Network		Srew terminals: 2.5-25mm <sup>2</sup> +/- 1.5-10mm <sup>2</sup>	
Mounting		Symmetrical rail 35 mm (EN 60715)	
Housing material		Thermoplastic UL94 V-0	
Operating temperature	T <sub>u</sub>	-40/+85°C	
Protection rating		IP20	
Failsafe mode		Disconnection from DC network	
Disconnection indicator		1 mechanical indicator - Red/Green	
Spare module(s)		MDDC30-85	
Remote signaling of disconnection		Output on changeover contact	
Dimensions		See diagram - 1TE (EN43880)	
Weight		0.070 kg	
Disconnectors			
Thermal disconnector		Internal	
Back-up protection device		50 A min. - 125 A max. - Fuses Type gG	
Standards			
Standards compliance		prIEC 61643-41	
Part number			
828110221			

