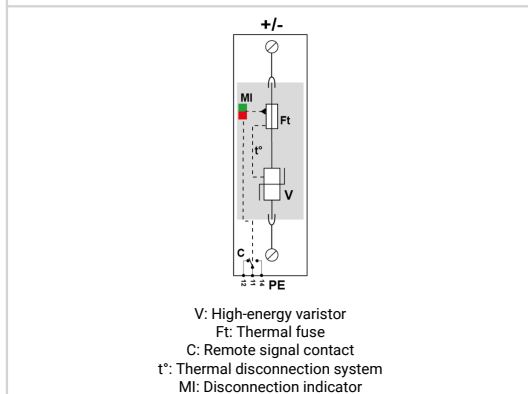
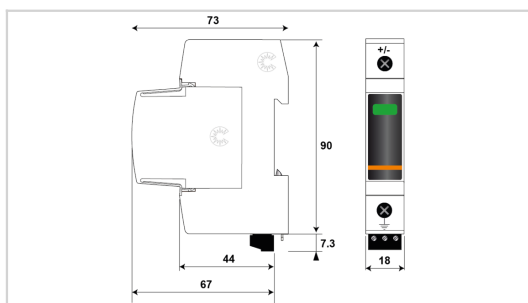




- ✦ Combined SPD for DC supplies, 1-pole
- ✦ Type 1 + 2
- ✦ In: 15 kA / I_{max}: 30 kA
- ✦ I_{imp}: 4kA
- ✦ Pluggable module
- ✦ Remote signaling
- ✦ prIEC 61643-41 compliance



Electrical Characteristics			
SPD type	IEC	1+2	
Nominal DC voltage	Un-dc	48 Vdc	
Max. AC operating voltage	Uc	50 Vac	
Max. DC operating voltage	Uc	65 Vdc	
Residual Current Leakage current to Ground	I _{pe}	< 0.2 mA	
Follow current	I _f	None	
Nominal discharge current 15 x 8/20 μs impulses	I _n	15 kA	
Max. discharge current max. withstand @ 8/20 μs by pole	I _{max}	30 kA	
Impulse current by pole max. withstand 10/350μs by pole	I _{imp}	4 kA	
Connection mode(s)		+/-PE or -/PE	
Protection level +/-PE (-/PE) @ I _n (8/20μs)	U _p	300 V / -	
Admissible short-circuit current	I _{sc}	50 000 A	
Mechanical Characteristics			
Technology		MOV	
SPD configuration		Single phase	
Connection to Network		Srew terminals: 2.5-25mm ² +/- 1.5-10mm ²	
Mounting		Symmetrical rail 35 mm (EN 60715)	
Housing material		Thermoplastic UL94 V-0	
Operating temperature	T _u	-40/+85°C	
Protection rating		IP20	
Failsafe mode		Disconnection from DC network	
Disconnection indicator		1 mechanical indicator - Red/Green	
Spare module(s)		MDDC30-65	
Remote signaling of disconnection		Output on changeover contact	
Dimensions		See diagram - 1TE (EN43880)	
Weight		0.096 kg	
Disconnectors			
Thermal disconnector		Internal	
Back-up protection device		50 A min. - 125 A max. - Fuses Type gG	
Standards			
Standards compliance		prIEC 61643-41	
Part number			
828110121			

