



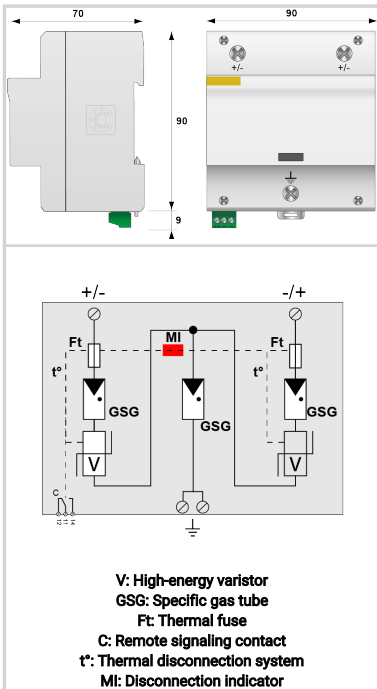
# CITEL

## Type 1+2 PV surge protector - 1000 Vdc

### DS60VGPV-1000G/51



- Type 1+2 surge protector for photovoltaic
- VG technology
- 1000 Vdc
- No leakage, no operating currents
- Improved life expectancy
- Iimp: 12,5 kA/pole
- Common/Differential mode protection
- Remote signaling
- IEC 61643-31, EN 61643-31, EN 50539-11 compliance



#### Electrical Characteristics

SPD type	IEC	1+2
Network		PV network 1000 Vdc
Nominal PV voltage	Uocstc	1000 Vdc
Max. PV operating voltage	Ucpv	1200 Vdc
Residual Current Leakage current to Ground	Ipe	None
PV Permanent Operating current Current consumption at Ucpv	Icpv	None
Follow current	If	None
Nominal discharge current 15 x 8/20 μs impulses	In	20 kA
Max. discharge current max. withstand @ 8/20 μs by pole	I <sub>max</sub>	40 kA
Impulse current by pole max. withstand 10/350μs by pole	I <sub>imp</sub>	12.5 kA
Total lightning current max. total withstand @ 10/350μs	I <sub>total</sub>	25 kA
Current withstand short circuit PV	I <sub>scpv</sub>	15 000 A
Connection mode(s)		+/-/PE
Protection mode(s)		Common/Differential mode
Protection level +/- @ In (8/20μs)	Up	5.4 kV
Protection level +/-PE (-/PE) @ In (8/20μs)	Up	4.7 kV

#### Mechanical Characteristics

Technology		VG Technology (MOV+GSG)
Connection to Network		By screw terminals: 6-35mm <sup>2</sup>
Format		1-pole modular box
Mounting		Symmetrical rail 35 mm (EN 60715)
Housing material		Thermoplastic UL94 V-0
Operating temperature	Tu	-40/+85°C
Protection rating		IP20
Failsafe mode		Disconnection SPD of the PV line
Disconnection indicator		1 mechanical indicator
Remote signaling of disconnection		Output on changeover contact - 250 Vac/0.5 A (AC) - 30 Vdc/3A (DC)
Dimensions		See diagram
Weight		0.658 kg

#### Disconnectors

Thermal disconnector		Internal
Back-up protection device		Without

#### Standards

Standards compliance		IEC 61643-31 / EN 61643-31 / EN 50539-11
Certification		

#### Part number

<b>3958</b>		
-------------	--	--

