



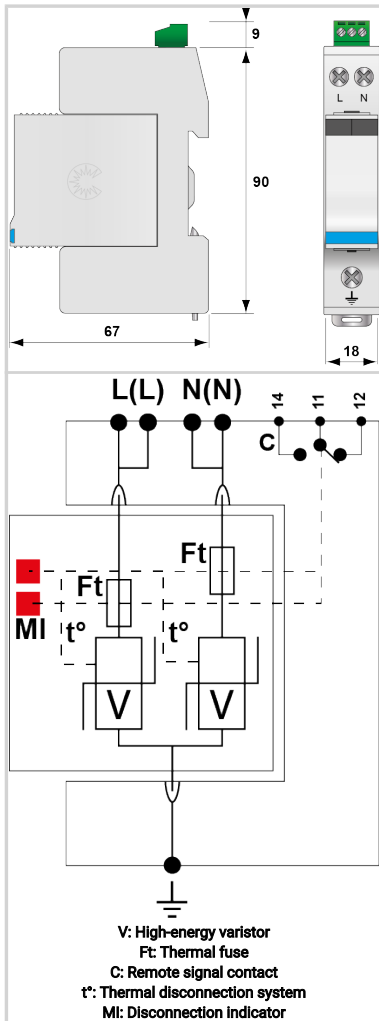
# CITEL

## Compact 1-phase Type 2 (or 3) surge protector - 230 V - Pluggable

### DS215S-400



- › Discover our latest innovation : the [DAC15CS-20-440](#)
- › Compact single-phase type 2 (or 3) surge protector
- › In : 5 kA
- › I<sub>max</sub> : 15 kA
- › Common mode
- › Pluggable module
- › Remote signaling
- › EN 61643-11, IEC 61643-11 compliance
- › UL1449 ed.5



Electrical Characteristics		
SPD type	IEC	2+3
Network		230/400 V
AC system		IT
Nominal line voltage	U <sub>n</sub>	400 Vac
Max. AC operating voltage	U <sub>c</sub>	440 Vac
Max. load current <i>if series connection</i>	I <sub>L</sub>	20 A
Temporary Over Voltage (TOV) Characteristics - 5 sec. <i>Without disconnection</i>	UT	580 Vac withstand
Temporary Over Voltage (TOV) Characteristics - 120 mn <i>Without disconnection or with safety disconnection</i>	UT	770 Vac disconnection
Residual Current <i>Leakage current to Ground</i>	I <sub>pe</sub>	< 0.5 mA
Follow current	I <sub>f</sub>	None
Nominal discharge current <i>15 x 8/20 μs impulses</i>	I <sub>n</sub>	5 kA
Max. discharge current <i>max. withstand @ 8/20 μs by pole</i>	I <sub>max</sub>	15 kA
Withstand on Combination waveform IEC 61643-11 <i>Class III test: 1.2/50 μs - 8/20 μs</i>	U <sub>oc</sub>	10 kV
Withstand on overvoltages IEEE C62.41.1		10 kV
Connection mode(s)		L/PE and N/PE
Protection mode(s)		Common mode
Protection level <i>@ I<sub>n</sub> (8/20 μs)</i>	U <sub>p</sub>	1.3 kV
Residual voltage at 5 kA <i>@ 5 kA (8/20 μs)</i>	U <sub>p-5kA</sub>	1.3 kV
Admissible short-circuit current	I <sub>scrr</sub>	10 000 A
Mechanical Characteristics		
Technology		MOV
SPD configuration		Single phase
Connection to Network		By screw terminals: 1.5-10mm <sup>2</sup> (L/N) or 2.5-25mm <sup>2</sup> (PE)
Format		Plug-in modular box
Mounting		Symmetrical rail 35 mm (EN 60715)
Housing material		Thermoplastic UL94 V-0
Operating temperature	T <sub>u</sub>	-40/+85°C
Protection rating		IP20
Failsafe mode		Disconnection from AC network
Disconnection indicator		2 mechanical indicators
Spare module(s)		DSM215-400
Remote signaling of disconnection		Output on changeover contact
Dimensions		See diagram
Weight		0.118 kg
Disconnectors		
Thermal disconnector		Internal
Installation ground fault breaker		Type 'S' or delayed
Back-up protection device		20 A / 40 A (gL/gG)
Standards		
Standards compliance		IEC 61643-11 / EN 61643-11 / UL1449 ed.5
Certification		cRUus
Part number		
<b>451411</b>		

