



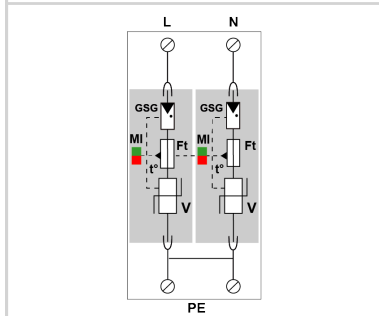
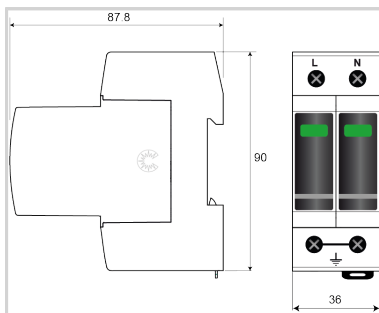
CITEL

Type 1+2+3 AC surge protector - Single phase

DAC1-13VG-20-275



- Type 1 + 2 + 3 AC surge protector
- VG Technology
- In : 20 kA
- Iimp : 12,5 kA on 10/350µs impulse
- No leakage current
- Pluggable module for each phase
- Remote signaling (option)
- Optimized to TOV
- EN 61643-11, IEC 61643-11 certified
- UL1449 ed.5 compliance



V: High-energy varistor
 GSG: Specific Gas Tube
 Ft: Thermal fuse
 †: Thermal disconnection system
 MI: Disconnection Indicator

Electrical Characteristics

SPD type	IEC	1+2+3
Network		230 V single-phase
AC system		TN
Max. AC operating voltage	Uc	275 Vac
Temporary Over Voltage (TOV) Characteristics - 5 sec. Without disconnection	UT	335 Vac withstand
Temporary Over Voltage (TOV) Characteristics - 120 mn Without disconnection or with safety disconnection	UT	440 Vac withstand
Residual Current	Ipe	None
Leakage current to Ground		
Follow current	If	None
Nominal discharge current 15 x 8/20 µs impulses	In	20 kA
Max. discharge current max. withstand @ 8/20 µs by pole	I _{max}	50 kA
Total Maximum discharge current max. total withstand @ 8/20 µs	I _{max} Total	100 kA
Impulse current by pole max. withstand 10/350µs by pole	I _{imp}	12.5 kA
Impulse current N/PE max. withstand 10/350µs	I _{imp} N /PE	50 kA
Total lightning current max. total withstand @ 10/350µs	I _{total}	25 kA
Withstand on Combination waveform IEC 61643-11 Class III test: 1.2/50µs - 8/20µs	Uoc	6 kV
Specific energy by pole max. withstand 10/350 µs	W/R	40 kJ/ohm
Protection mode(s)		L/PE and N/PE
Protection level L/PE @ In (8/20µs) and @ 6 kV (1,2/50 µs)	L/PE	1.5 kV
Protection level N/PE @ In (8/20µs) and @ 6 kV (1,2/50 µs)	Up N/PE	1.5 kV
Protection level N/PE at 5 kA @ 5 kA (8/20µs)	Up-5kA	0.7 kV
Residual voltage L/PE at 5 kA @ 5 kA (8/20µs)	Up-5kA	0.7 kV
Admissible short-circuit current	I _{scrr}	50 000 A

Mechanical Characteristics

Technology		VG Technology (MOV+GSG)
SPD configuration		Single phase
Connection to Network		By screw terminals: 2.5-25mm ² (35mm ² rigid)
Format		Plug-in modular box
Mounting		Symmetrical rail 35 mm (EN 60715)
Housing material		Thermoplastic UL94 V-0
Operating temperature	Tu	-40/+85°C
Protection rating		IP20
Failsafe mode		Disconnection from AC network
Disconnection indicator		1 mechanical indicator by pole - Red/Green
Spare module(s)		MDAC1-13VG-275
Remote signaling of disconnection		option DAC1-13VGS-20-275: output on changeover contact
Wiring for remote signaling		1.5 mm ² max.
Max. Voltage/Current for remote signaling		250 V / 0.5 A (AC) / 30 V / 3 A (DC)
Dimensions		See diagram - 2TE (EN43880)
Weight		0.346 kg

Disconnectors

Thermal disconnector		Internal
Installation ground fault breaker		Type 'S' or delayed



CITEL

Type 1+2+3 AC surge protector - Single phase

DAC1-13VG-20-275

Back-up protection device		Fuse assembly: SFD1-13S-20 / or 125 A min. - 315 A max. - Fuses Type gG
Standards		
Standards compliance		IEC 61643-11 / EN 61643-11 / UL1449 ed.5
Certification		KEMA
Part number		
821730212		

