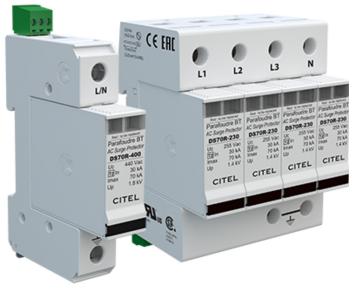




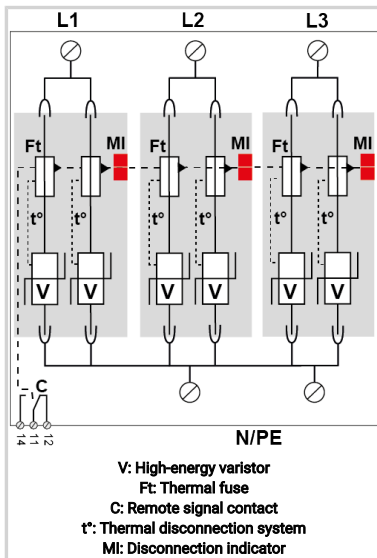
CITEL

Type 2 AC surge protector - 3-phase

DS73RS-400



- ▶ Discover our latest innovation : the [DAC80S-30-440](#)
- ▶ Re-inforced Type 2 AC Multipolar surge protector
- ▶ In: 30 kA
- ▶ I_{max} total: 210 kA
- ▶ Pluggable module by phase
- ▶ Remote signaling
- ▶ IEC 61643-11, EN 61643-11 compliance
- ▶ UL1449 ed.5 approved



Electrical Characteristics

SPD type	IEC	2
Network		230/400 V 3-phase
AC system		IT
Nominal line voltage	U _n	400 Vac
Max. AC operating voltage	U _c	440 Vac
Temporary Over Voltage (TOV) Characteristics - 5 sec. Without disconnection	UT	580 Vac withstand
Temporary Over Voltage (TOV) Characteristics - 120 mn Without disconnection or with safety disconnection	UT	770 Vac disconnection
Residual Current Leakage current to Ground	I _{pe}	< 3 mA
Follow current	I _f	None
Nominal discharge current 15 x 8/20 μs impulses	I _n	30 kA
Max. discharge current max. withstand @ 8/20 μs by pole	I _{max}	70 kA
Total Maximum discharge current max. total withstand @ 8/20 μs	I _{max} Total	210 kA
Connection mode(s)		L/PE
Protection mode(s)		Common mode
Residual voltage at 5 kA @ 5 kA (8/20μs)	U _{p-5kA}	1.2 kV
Protection level L/PE @ I _n (8/20μs)	U _{p L/PE}	1.8 kV
Admissible short-circuit current	I _{scrc}	25 000 A

Mechanical Characteristics

Technology		MOV
SPD configuration		3-phase
Connection to Network		By screw terminals: 2.5-25mm ² / by bus
Format		Plug-in modular box
Mounting		Symmetrical rail 35 mm (EN 60715)
Housing material		Thermoplastic UL94 V-0
Operating temperature	T _u	-40/+85°C
Protection rating		IP20
Failsafe mode		Disconnection from AC network
Disconnection indicator		2 mechanical indicators by pole
Spare module(s)		DSM70R-400
Remote signaling of disconnection		Output on changeover contact
Dimensions		See diagram
Weight		0.388 kg

Disconnectors

Thermal disconnector		Internal
Installation ground fault breaker		Type 'S' or delayed
Back-up protection device		100 A min. - 125 A max. - Fuses type gG

Standards

Standards compliance		IEC 61643-11 / EN 61643-11 / UL1449 ed.5
Certification		UL Recognized

Part number

491423

