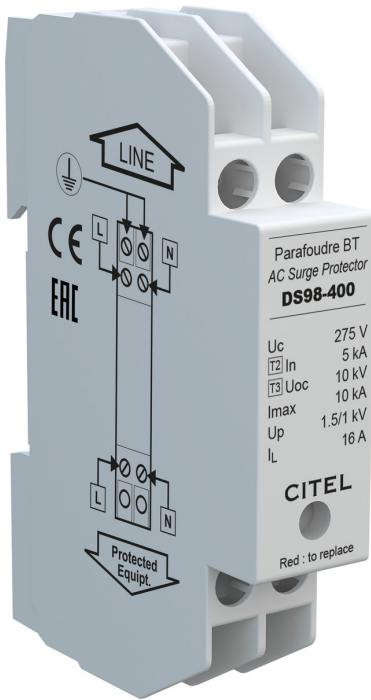




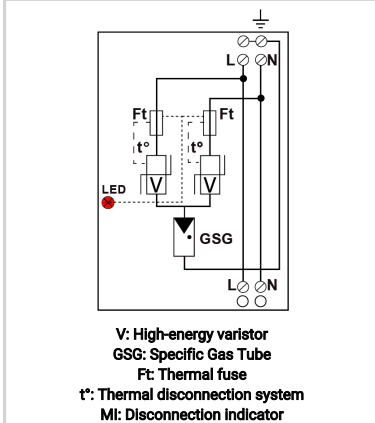
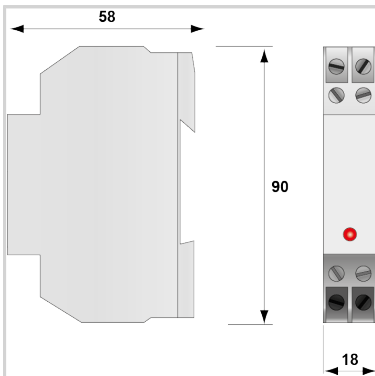
CITEL

Compact single-phase type 2 (or 3) surge protector - Monobloc

DS98-400



- ▶ Discover our latest innovation : the [DACN10-21YG-275](#)
- ▶ Cost effective single-phase surge protector
- ▶ Type 2 (or 3) monobloc
- ▶ In : 5 kA
- ▶ I_{max} : 10 kA
- ▶ Common/Differential mode
- ▶ Series or parallel wiring
- ▶ EN 61643-11, IEC 61643-11, UL1449 ed.5 compliance



Electrical Characteristics

SPD type	IEC	2+3
Network		230/400 V
AC system		TN
Nominal line voltage	U _n	230 Vac
Max. AC operating voltage	U _c	275 Vac
Max. load current @25°C	I _L	16 A
Temporary Over Voltage (TOV) Characteristics - 5 sec. <i>Without disconnection</i>	UT	335 Vac withstand
Temporary Over Voltage (TOV) Characteristics - 120 mn <i>Without disconnection or with safety disconnection</i>	UT	440 Vac disconnection
Residual Current <i>Leakage current to Ground</i>	I _{pe}	None
Follow current	I _f	None
Nominal discharge current <i>15 x 8/20 μs impulses</i>	I _n	5 kA
Max. discharge current <i>max. withstand @ 8/20 μs by pole</i>	I _{max}	10 kA
Withstand on Combination waveform IEC 61643-11 <i>Class III test: 1.2/50 μs - 8/20 μs</i>	U _{oc}	10 kV
Withstand on overvoltages IEEE C62.41.1		10 kV
Protection mode(s)		Common/Differential mode
Protection level L/N <i>@ I_n (8/20 μs)</i>	U _p L/N	1 kV
Protection level N/PE <i>@ I_n (8/20 μs)</i>	U _p N/PE	1.5 kV
Admissible short-circuit current	I _{sc} cr	10 000 A

Mechanical Characteristics

SPD configuration		Single phase
Connection to Network		By screw terminals: 2.5mm ² max.
Format		Monobloc modular box
Mounting		Symmetrical rail 35 mm (EN 60715)
Housing material		Thermoplastic UL94 V-0
Operating temperature	T _u	-40/+85°C
Protection rating		IP20
Failsafe mode		Disconnection from AC network
Disconnection indicator		Red light on
Remote signaling of disconnection		option DS98S-400
Dimensions		See diagram

Disconnectors

Thermal disconnector		Internal
Installation ground fault breaker		Type 'S' or delayed
Back-up protection device		Fuses type gG - 20A

Standards

Standards compliance		IEC 61643-11 / EN 61643-11 / UL1449 ed.5
Certification		

Part number



CITEL

Compact single-phase type 2 (or 3) surge protector - Monobloc

DS98-400

3509011

