



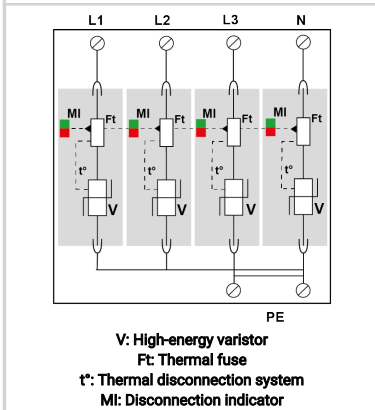
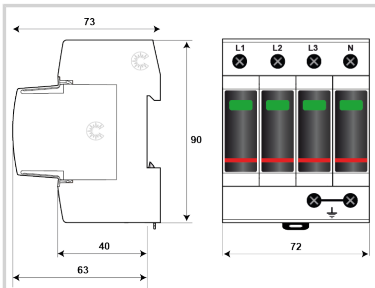
CITEL

Type 2 AC surge protector - 3-phase+N

DAC50-40-530



- › Type 2 AC multipolar surge protector
- › In: 20 kA
- › Imax: 50 kA
- › Pluggable module for each phase
- › Remote signaling option
- › EN 61643-11, IEC 61643-11 certified



Electrical Characteristics

SPD type	IEC	2
Network		480/830 V 3-phase+N
AC system		TNS
Max. AC operating voltage	Uc	530 Vac
Temporary Over Voltage (TOV) Characteristics - 5 sec. Without disconnection	UT	700 Vac withstand
Temporary Over Voltage (TOV) Characteristics - 120 mn Without disconnection or with safety disconnection	UT	920 Vac disconnection
Residual Current Leakage current to Ground	Ipe	< 1 mA
Follow current	If	None
Nominal discharge current 15 x 8/20 μs impulses	In	20 kA
Max. discharge current max. withstand @ 8/20 μs by pole	Imax	50 kA
Total Maximum discharge current max. total withstand @ 8/20 μs	Imax Total	200 kA
Protection mode(s)		L/PE and N/PE
Protection level N/PE @ In (8/20μs)	Up N/PE	2.4 kV
Protection level L/PE @ In (8/20μs)	Up L/PE	2.4 kV
Protection level N/PE at 5 kA @ 5 kA (8/20μs)	Up-5kA	2 kV
Residual voltage L/PE at 5 kA @ 5 kA (8/20μs)	Up-5kA	2 kV
Admissible short-circuit current	Iscrr	50 000 A

UL Electrical Characteristics

UL Category		UL Recognized Type 4CA
Maximum Continuous Operating Voltage(L-L/L-N)	MCOV	1060 V
Maximum Continuous Operating Voltage(L-G/N-G)	MCOV	530 V
Maximum Limiting Voltage(L-L/L-N)	MLV	5170 V
Maximum Limiting Voltage(L-G/N-G)	MLV	3120 V
Nominal discharge current	In	20 kA

Mechanical Characteristics

Technology		MOV
SPD configuration		3-phase+Neutral
Connection to Network		By screw terminals: 2.5-25mm ² (35mm ² rigid)
Format		Plug-in modular box
Mounting		Symmetrical rail 35 mm (EN 60715)
Housing material		Thermoplastic UL94 V-0
Operating temperature	Tu	-40/+85°C
Ingress Protection rating		IP20 (NEMA 2)
Failsafe mode		Disconnection from AC network
Disconnection indicator		1 mechanical indicator by pole - Red/Green
Spare module(s)		MDAC50-530
Remote signaling of disconnection		option DAC50S-40-530 : output on changeover contact
Dimensions		See diagram - 4TE (EN43880)
Weight		0.446 kg

Disconnectors

Thermal disconnecter		Internal
Installation ground fault breaker		Type 'S' or delayed
Back-up protection device		50 A min. - 125 A max. - Fuses Type gG

Standards

Standards compliance		IEC 61643-11 / EN 61643-11
Certification		ÖVE

Part number

821110514

