



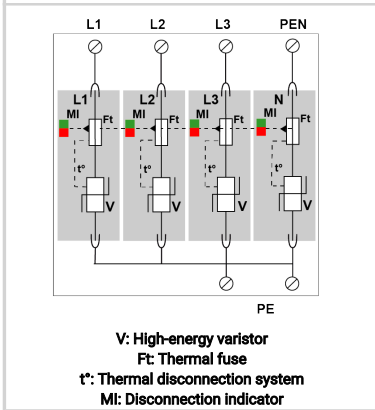
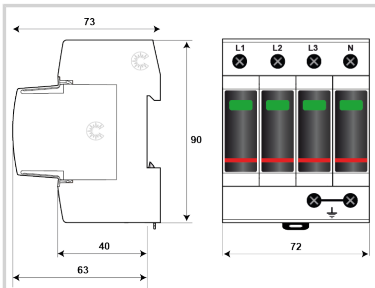
CITEL

Type 2 AC surge protector - 3-phase+N

DAC50-40-275



- Type 2 AC multipolar surge protector
- In: 20 kA
- I_{max}: 50 kA
- Pluggable module for each phase
- Remote signaling option
- EN 61643-11, IEC 61643-11 certified



Electrical Characteristics

SPD type	IEC	2
Network		230/400 V 3-phase+N
AC system		TNS
Max. AC operating voltage	U _c	275 Vac
Temporary Over Voltage (TOV) Characteristics - 5 sec. Without disconnection	UT	335 Vac withstand
Temporary Over Voltage (TOV) Characteristics - 120 mn Without disconnection or with safety disconnection	UT	440 Vac disconnection
Residual Current Leakage current to Ground	I _{pe}	< 1 mA
Follow current	I _f	None
Nominal discharge current 15 x 8/20 μs impulses	I _n	20 kA
Max. discharge current max. withstand @ 8/20 μs by pole	I _{max}	50 kA
Total Maximum discharge current max. total withstand @ 8/20 μs	I _{max} Total	200 kA
Protection mode(s)		L/PE and N/PE
Protection level N/PE @ I _n (8/20μs)	Up N/PE	1.25 kV
Protection level L/PE @ I _n (8/20μs)	Up L/PE	1.25 kV
Protection level N/PE at 5 kA @ 5 kA (8/20μs)	Up-5kA	1 kV
Residual voltage L/PE at 5 kA @ 5 kA (8/20μs)	Up-5kA	1 kV
Admissible short-circuit current	I _{sc}	50 000 A

Mechanical Characteristics

Technology		MOV
SPD configuration		3-phase+Neutral
Connection to Network		By screw terminals: 2.5-25mm ² (35mm ² rigid)
Format		Plug-in modular box
Mounting		Symmetrical rail 35 mm (EN 60715)
Housing material		Thermoplastic UL94 V-0
Operating temperature	T _u	-40/+85°C
Ingress Protection rating		IP20 (NEMA 2)
Failsafe mode		Disconnection from AC network
Disconnection indicator		1 mechanical indicator by pole - Red/Green
Spare module(s)		MDAC50-275
Remote signaling of disconnection		option DAC50S-40-275 : output on changeover contact
Wiring for remote signaling		1.5 mm ² max.
Max. Voltage/Current for remote signaling		250 V / 0.5 A (AC) / 30 V / 3 A (DC)
Dimensions		See diagram - 4TE (EN43880)
Weight		0.364 kg

Disconnectors

Thermal disconnector		Internal
Installation ground fault breaker		Type 'S' or delayed
Back-up protection device		50 A min. - 125 A max. - Fuses Type gG

Standards

Standards compliance		IEC 61643-11 / EN 61643-11
Certification		ÖVE

Part number

821110214

