



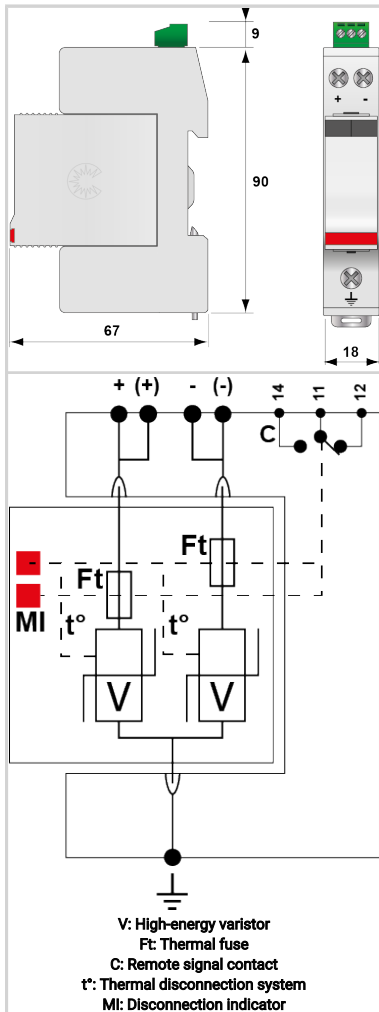
# CITEL

## DC power surge protector - 95 Vdc

### DS240S-95DC



- › Discover our latest innovation : the [DDC40CS-20-125](#)
- › DC power surge protector
- › 95 Vdc
- › Compact design
- › Imax: 40 kA
- › Pluggable module
- › Remote signaling
- › Very low Up protection level



#### Electrical Characteristics

SPD type	IEC	2
Network		DC or PV network 95Vdc
Nominal DC voltage	Un-dc	95 Vdc
Nominal PV voltage	Uocstc	95 Vdc
Max. AC operating voltage	Uc	95 Vac
Max. PV operating voltage	Ucpv	125 Vdc
Max. DC operating voltage	Uc	125 Vdc
Max. load current @25°C	IL	50 A
Residual Current		
Leakage current to Ground	Ipe	< 0.2 mA
PV Permanent Operating current	Icpv	< 0.1 mA
Current consumption at Ucpv		
Follow current	If	None
Nominal discharge current	In	20 kA
15 x 8/20 μs impulses		
Max. discharge current	Imax	40 kA
max. withstand @ 8/20 μs by pole		
Total Maximum discharge current	Imax Total	80 kA
max. total withstand @ 8/20 μs		
Current withstand short circuit PV	Iscpv	1000 A
Connection mode(s)		+/-/PE
Protection mode(s)		Common mode
Protection level +/-PE (-/PE)	Up	450 V
@ In (8/20μs)		

#### Mechanical Characteristics

Technology		MOV
SPD configuration		2-poles
Connection to Network		By screw terminals: 1.5-10mm <sup>2</sup> (actives wires) and 2.5-25mm <sup>2</sup> (ground)
Format		Plug-in modular box
Mounting		Symmetrical rail 35 mm (EN 60715)
Housing material		Thermoplastic UL94 V-0
Operating temperature	Tu	-40/+85°C
Protection rating		IP20
Failsafe mode		Disconnection from DC network
Disconnection indicator		2 mechanical indicators
Spare module(s)		DSM240-95DC
Remote signaling of disconnection		Output on changeover contact
Dimensions		See diagram

#### Disconnectors

Thermal disconnector		Internal
Back-up protection device		Fuses type gG - 20A

#### Standards

Standards compliance		IEC 61643-11 / EN 61643-11 / UL1449 ed.5
Environmental standards		EU RoHS



CITEL

*DC power surge protector - 95 Vdc*

---

**DS240S-95DC**

**Part number**

**310311**

