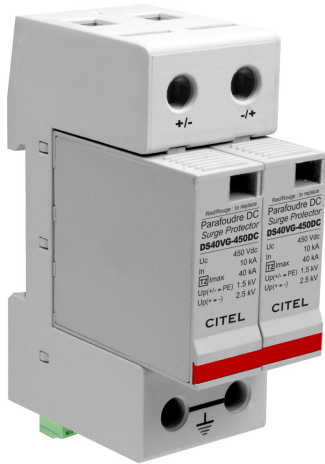




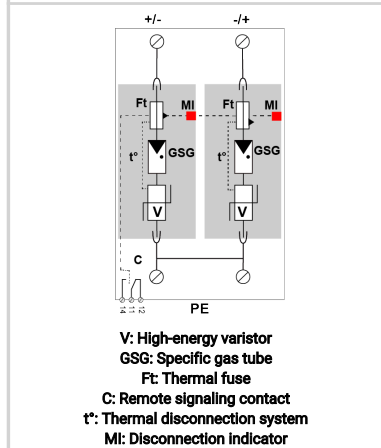
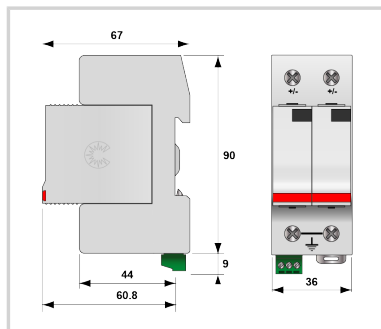
CITEL



2-Pole 450 Vdc surge protector

DS42VGS-450DC

- Type 2 SPD for DC power
- VG technology
- In 10 kA / I_{max} 40 kA
- Pluggable module
- LeakAge and operating currents : none
- No ageing
- Remote signaling status
- Conforme EN 61643-11, IEC 61643-11



Electrical Characteristics		
SPD type	IEC	2
Network		400 Vdc
Max. DC operating voltage	U _c	450 Vdc
Follow current	I _f	None
Nominal discharge current <i>15 x 8/20 μs impulses</i>	I _n	10 kA
Max. discharge current <i>max. withstand @ 8/20 μs by pole</i>	I _{max}	40 kA
Connection mode(s)		+/-PE and -/PE
Protection mode(s)		Common mode
Protection level +/- <i>@ I_n (8/20μs)</i>	U _p	2.5 kV
Protection level +/-PE (-/PE) <i>@ I_n (8/20μs)</i>	U _p	1.5 kV
Mechanical Characteristics		
Technology		VG Technology (MOV+GSG)
SPD configuration		2-poles
Connection to Network		By screw terminals: 2.5-25mm ² / by bus
Format		Plug-in modular box
Mounting		Symmetrical rail 35 mm (EN 60715)
Housing material		Thermoplastic UL94 V-0
Operating temperature	T _u	-40/+58°C
Protection rating		IP20
Failsafe mode		Disconnection from DC network
Disconnection indicator		1 mechanical indicator by pole
Spare module(s)		DSM40VG-450DC
Remote signaling of disconnection		Output on changeover contact
Dimensions		See diagram
Weight		0.190 kg
Disconnectors		
Thermal disconnector		Internal
Back-up protection device		Fuses type gG - 50 A
Standards		
Standards compliance		IEC 61643-11 / EN 61643-11
Part number		
42287132		

