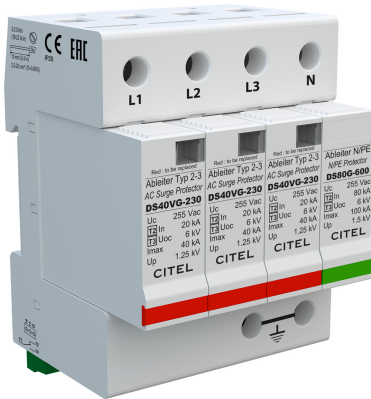




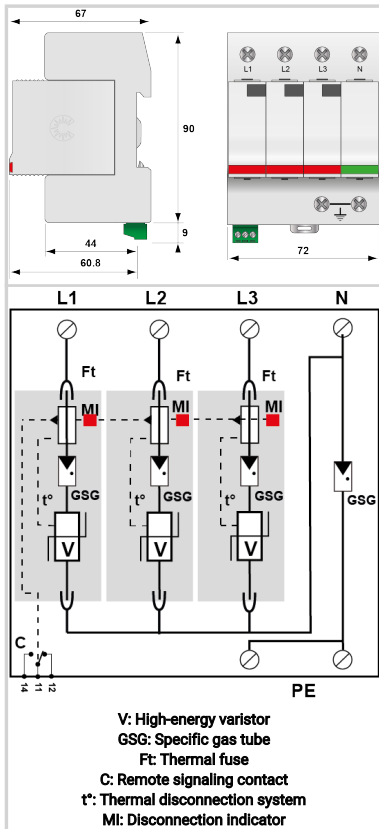
CITEL

Type 2+3 AC surge protector - 3-phase+N

DS44VGS-230/G



- ▶ Discover our latest innovation : the [DAC50VGS-31-275](#)
- ▶ Type 2 + 3 AC Multipolar surge protector
- ▶ In : 20 kA
- ▶ I_{max} total: 100 kA
- ▶ Pluggable module
- ▶ Follow and operating current : none
- ▶ No ageing -remote signaling state
- ▶ Optimized to TOV
- ▶ EN 61643-11, IEC 61643-11, UL1449 ed.5 compliance



Electrical Characteristics		
SPD type	IEC	2+3
Network		230/400 V
AC system		TT-TNS
Nominal line voltage	U _n	230 Vac
Max. AC operating voltage	U _c	255 Vac
Temporary Over Voltage (TOV) Characteristics - 5 sec. <i>Without disconnection</i>	UT	335 Vac withstand
Temporary Over Voltage (TOV) Characteristics - 120 mn <i>Without disconnection or with safety disconnection</i>	UT	440 Vac withstand
Temporary Over Voltage N/PE (TOV HT) <i>Without disconnection or with safety disconnection</i>	UT	1200 V/300A/200 ms withstand
Residual Current <i>Leakage current to Ground</i>	I _{pe}	None
Follow current	I _f	None
Nominal discharge current <i>15 x 8/20 μs impulses</i>	I _n	20 kA
Max. discharge current <i>max. withstand @ 8/20 μs by pole</i>	I _{max}	40 kA
Total Maximum discharge current <i>max. total withstand @ 8/20 μs</i>	I _{max} Total	100 kA
Withstand on Combination waveform IEC 61643-11 <i>Class III test: 1.2/50μs - 8/20μs</i>	U _{oc}	6 kV
Withstand on overvoltages IEEE C62.41.1		20 kV
Connection mode(s)		L/N and N/PE
Protection mode(s)		Common/Differential mode
Residual voltage <i>@ I_n (8/20 μs)</i>	U _{p-in}	0.8 kV
Protection level L/N <i>@ I_n (8/20μs)</i>	U _p L/N	1.25 kV
Protection level N/PE <i>@ I_n (8/20μs)</i>	U _p N/PE	1.5 kV
Admissible short-circuit current	I _{sc} cr	25 000 A
Mechanical Characteristics		
Technology		VG Technology (MOV+GSG)
SPD configuration		3-phase+Neutral
Connection to Network		By screw terminals: 2.5-25mm ² / by bus
Format		Plug-in modular box
Mounting		Symmetrical rail 35 mm (EN 60715)
Housing material		Thermoplastic UL94 V-0
Operating temperature	T _u	-40/+85°C
Protection rating		IP20
Failsafe mode		Disconnection from AC network
Disconnection indicator		1 mechanical indicator by pole
Spare module(s)		DSM40VG-230+DSM80G-600
Remote signaling of disconnection		Output on changeover contact
Dimensions		See diagram
Weight		0.339 kg
Disconnectors		
Thermal disconnector		Internal
Installation ground fault breaker		Type 'S' or delayed
Back-up protection device		50 A min. - 125 A max. - Fuses Type gG
Standards		
Standards compliance		IEC 61643-11 / EN 61643-11 / UL1449 ed.5
Certification		UL Recognized
Part number		
461582		

