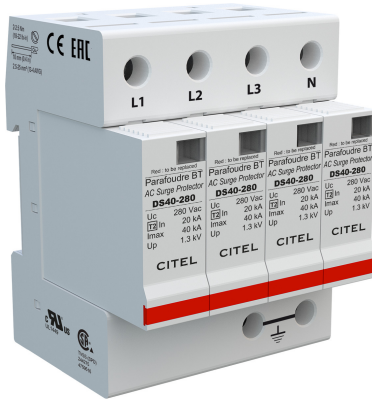




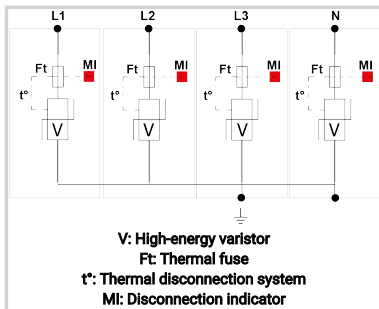
CITEL

Type 2 AC surge protector - 3-phase+N

DS44-280



- › Discover our latest innovation : the [DAC50-40-320](#)
- › Type 2 AC Multipolar surge protector
- › In : 20 kA
- › I_{max} total : 160 kA
- › Pluggable module for each phase
- › Remote signaling option
- › NF EN 61643-11, IEC 61643-11 compliance
- › UL1449 ed.5



Electrical Characteristics

| | | |
|--|------------------------|-----------------------|
| SPD type | IEC | 2 |
| Network | | 230/400 V |
| AC system | | TNS |
| Nominal line voltage | U _n | 230 Vac |
| Max. AC operating voltage | U _c | 280 Vac |
| Temporary Over Voltage (TOV) Characteristics - 5 sec. <i>Without disconnection</i> | UT | 335 Vac withstand |
| Temporary Over Voltage (TOV) Characteristics - 120 mn <i>Without disconnection or with safety disconnection</i> | UT | 440 Vac disconnection |
| Residual Current <i>Leakage current to Ground</i> | I _{pe} | < 1 mA |
| Follow current | I _f | None |
| Nominal discharge current <i>15 x 8/20 μs impulses</i> | I _n | 20 kA |
| Max. discharge current <i>max. withstand @ 8/20 μs by pole</i> | I _{max} | 40 kA |
| Total Maximum discharge current <i>max. total withstand @ 8/20 μs</i> | I _{max} Total | 160 kA |
| Connection mode(s) | | L/PE and N/PE |
| Protection mode(s) | | Common mode |
| Protection level <i>@ I_n (8/20 μs)</i> | U _p | 1.3 kV |
| Admissible short-circuit current | I _{scrr} | 25 000 A |

Mechanical Characteristics

| | | |
|-----------------------------------|----------------|--|
| Technology | | MOV |
| SPD configuration | | 3-phase+Neutral |
| Connection to Network | | By screw terminals: 2.5-25mm ² / by bus |
| Format | | Plug-in modular box |
| Mounting | | Symmetrical rail 35 mm (EN 60715) |
| Housing material | | Thermoplastic UL94 V-0 |
| Operating temperature | T _u | -40/+85°C |
| Protection rating | | IP20 |
| Failsafe mode | | Disconnection from AC network |
| Disconnection indicator | | 1 mechanical indicator by pole |
| Spare module(s) | | DSM40-280 |
| Remote signaling of disconnection | | option DS44S-280 : output on changeover contact |
| Dimensions | | See diagram |
| Weight | | 0.339 kg |

Disconnectors

| | | |
|-----------------------------------|--|----------------------|
| Thermal disconnector | | Internal |
| Installation ground fault breaker | | Type 'S' or delayed |
| Back-up protection device | | Fuses type gG - 50 A |

Standards

| | | |
|----------------------|--|--|
| Standards compliance | | IEC 61643-11 / EN 61643-11 / UL1449 ed.5 |
| Certification | | cRUus |

Part number

461102

