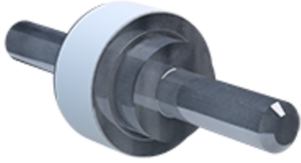




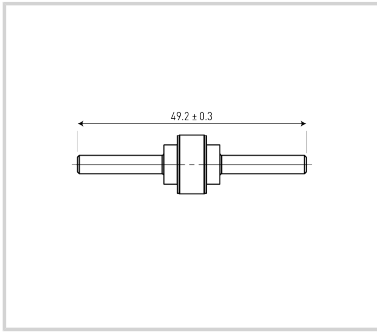
# CITEL

## Isolating spark gap (ISG)

### BF P100 600/20



- › Isolating spark gap
- › Outdoor application
- › Max. discharge current: 100 kA
- › EN 62561-3 compliance



#### Electrical Characteristics

|  |         |        |
|--|---------|--------|
| Rated DC withstand voltage   | Uw DC   | 480 V  |
| Rated AC withstand voltage   | Uw AC   | 330 V  |
| Max. discharge current<br><i>max. withstand @ 8/20 μs by pole</i>  | Imax    | 100 kA |
| Impulse current by pole<br><i>max. withstand 10/350 μs by pole</i> | Iimp    | 50 kA  |
| Classification following IEC 62561-3                               |         | N      |
| Rated impulse sparkover voltage<br><i>1kV/μs</i>                   | Ur Iimp | 1300 V |

#### Mechanical Characteristics

|                                   |    |                                    |
|-----------------------------------|----|------------------------------------|
| Technology                        |    | Gas discharge tube                 |
| Connection to Network             |    | Wire (BF PS) wire terminal (BF PC) |
| Operating temperature             | Tu | -40/+85°C                          |
| Operating and storage temperature |    | -40°C / +90°C                      |
| Protection rating                 |    | IP67                               |
| Number of units per package       |    | 20 units per cardboard             |
| Dimensions                        |    | See diagram                        |
| Weight                            |    | 19.4 kg                            |

#### Standards

|                      |  |            |
|----------------------|--|------------|
| Standards compliance |  | EN 62561-3 |
| RohS compliance      |  | Yes        |

#### Part number

**90231389**

