



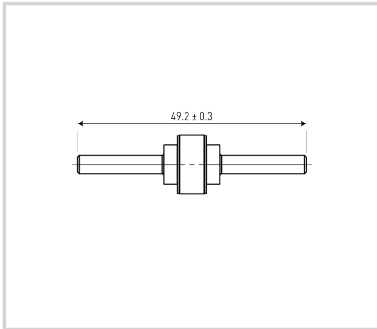
CITEL

Isolating spark gap (ISG)

BF P100 750V



- › Isolating spark gap
- › Outdoor application
- › Max. discharge current: 100 kA
- › EN 62561-3 compliance



Electrical Characteristics

Rated DC withstand voltage	Uw DC	600 V
Rated AC withstand voltage	Uw AC	420 V
Max. discharge current <i>max. withstand @ 8/20 μs 1 time</i>	I _{max}	100 kA
Impulse current by pole <i>max. withstand 10/350 μs by pole</i>	I _{imp}	50 kA
Rated impulse sparkover voltage <i>1kV/μs</i>	U _{r limp}	1500 V

Mechanical Characteristics

Technology		Gas discharge tube
Operating and storage temperature		-40°C / +90°C
Number of units per package		20 units per cardboard
Dimensions		See diagram
Weight		19.4 kg

Standards

Standards compliance		EN 62561-3
RohS compliance		Yes

Part number

90231330

