



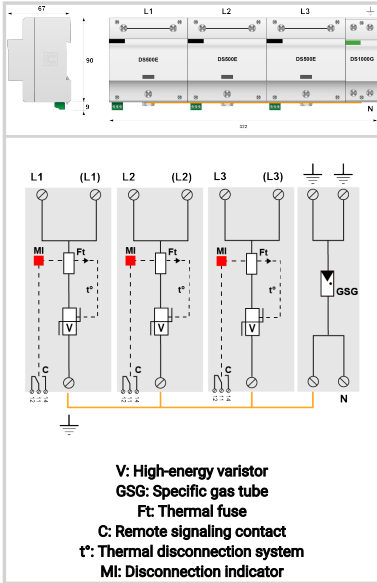
# CITEL

## Type 1+2 AC surge protector - 3-phase+N

### DS504E-230/G



- ▶ Type 1 + 2 multipolar AC surge protector
- ▶ Iimp total : 100 kA (10/350µs impulse)
- ▶ Imax : 200 kA (8/20µs impulse)
- ▶ Internal disconnections, status indicator and remote signaling
- ▶ Conforme NF EN 61643-11, IEC 61643-11, UL1449 ed.5



Electrical Characteristics		
SPD type	IEC	1+2
Network		230/400 V 3-phase+N
AC system		TT-TNS
Nominal line voltage	Un	230 Vac
Max. AC operating voltage	Uc	255 Vac
Max. load current		
if series connection	IL	100 A
Temporary Over Voltage (TOV) Characteristics - 5 sec. Without disconnection	UT	335 Vac withstand
Temporary Over Voltage (TOV) Characteristics - 120 mn Without disconnection or with safety disconnection	UT	440 Vac disconnection
Temporary Over Voltage N/PE (TOV HT) Without disconnection or with safety disconnection	UT	1200 V/300A/200 ms withstand
Follow current	If	None
Nominal discharge current 15 x 8/20 µs impulses	In	50 kA
Max. discharge current max. withstand @ 8/20 µs by pole	Imax	200 kA
Impulse current by pole max. withstand 10/350µs by pole	Iimp	50 kA
Total lightning current max. total withstand @ 10/350µs	Itotal	100 kA
Specific energy by pole max. withstand 10/350 µs	W/R	625 kJ/ohm
Connection mode(s)		L/N and N/PE
Protection mode(s)		Common/Differential mode
Protection level L/N @ In (8/20µs)	Up L/N	1.8 kV
Protection level N/PE @ In (8/20µs)	Up N/PE	1.5 kV
Admissible short-circuit current	Iscrr	50 000 A
Mechanical Characteristics		
Technology		MOV
SPD configuration		3-phase+Neutral
Connection to Network		By screw terminals: 6-35mm <sup>2</sup> / by bus
Format		1-pole modular box assembled
Mounting		Symmetrical rail 35 mm (EN 60715)
Housing material		Thermoplastic UL94 V-0
Operating temperature	Tu	-40/+85°C
Protection rating		IP20
Failsafe mode		Disconnection from AC network
Disconnection indicator		1 mechanical indicator by pole
Remote signaling of disconnection		Output on changeover contact
Dimensions		See diagram
Weight		2.09 kg
Disconnectors		
Thermal disconnector		Internal
Installation ground fault breaker		Type 'S' or delayed
Back-up protection device		Fuses Type gG - 500 A
Standards		
Standards compliance		IEC 61643-11 / EN 61643-11 / UL1449 ed.5
Certification		
Part number		
<b>5042301</b>		

