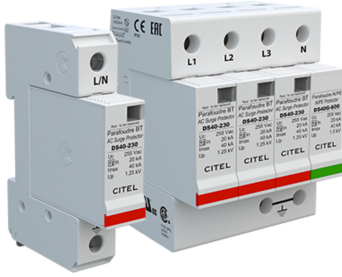




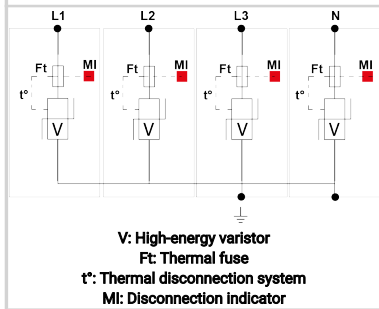
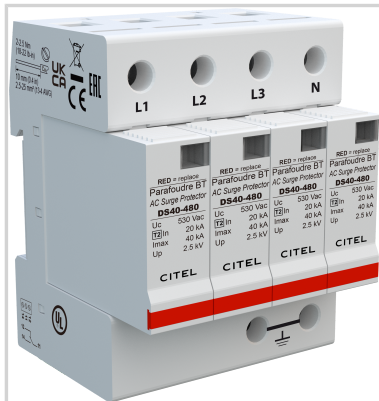
# CITEL

## Type 2 AC surge protector - 3-phase+N

### DS44-480



- ▶ Discover our latest innovation : the [DAC50-40-530](#)
- ▶ Type 2 AC Multipolar surge protector
- ▶ In : 20 kA
- ▶ I<sub>max</sub> total : 160 kA
- ▶ Pluggable module for each phase
- ▶ Remote signaling option
- ▶ NF EN 61643-11, IEC 61643-11 compliance
- ▶ UL1449 ed.5



#### Electrical Characteristics

SPD type	IEC	2
Network		277/480 V 3-phase+N
AC system		TNS-IT
Nominal line voltage	U <sub>n</sub>	480 Vac
Max. AC operating voltage	U <sub>c</sub>	530 Vac
Temporary Over Voltage (TOV) Characteristics - 5 sec. Without disconnection	UT	700 Vac withstand
Temporary Over Voltage (TOV) Characteristics - 120 mn Without disconnection or with safety disconnection	UT	920 Vac disconnection
Residual Current Leakage current to Ground	I <sub>pe</sub>	< 1 mA
Follow current	I <sub>f</sub>	None
Nominal discharge current 15 x 8/20 μs impulses	I <sub>n</sub>	20 kA
Max. discharge current max. withstand @ 8/20 μs by pole	I <sub>max</sub>	40 kA
Connection mode(s)		L/PE and N/PE
Protection mode(s)		Common mode
Protection level @ I <sub>n</sub> (8/20 μs)	U <sub>p</sub>	2.5 kV
Protection level N/PE @ I <sub>n</sub> (8/20 μs)	U <sub>p</sub> N/PE	2.5 kV
Protection level L/PE @ I <sub>n</sub> (8/20 μs)	U <sub>p</sub> L/PE	2.5 kV
Admissible short-circuit current	I <sub>sc cr</sub>	25 000 A

#### Mechanical Characteristics

Technology		MOV
SPD configuration		3-phase+Neutral
Connection to Network		By screw terminals: 2.5-25mm <sup>2</sup> / by bus
Format		Plug-in modular box
Mounting		Symmetrical rail 35 mm (EN 60715)
Housing material		Thermoplastic UL94 V-0
Operating temperature	T <sub>u</sub>	-40/+85°C
Protection rating		IP20
Failsafe mode		Disconnection from AC network
Disconnection indicator		1 mechanical indicator by pole
Spare module(s)		DSM40-480
Remote signaling of disconnection		option: DS44S-480 - output on changeover contact
Weight		0.405 kg

#### Disconnectors

Thermal disconnector		Internal
Installation ground fault breaker		Type 'S' or delayed
Back-up protection device		Fuses type gG - 50 A

#### Standards

Standards compliance		IEC 61643-11 / EN 61643-11 / UL1449 ed.5
Certification		UL Listed
Environmental standards		EU RoHS

#### Part number

**461006**

