



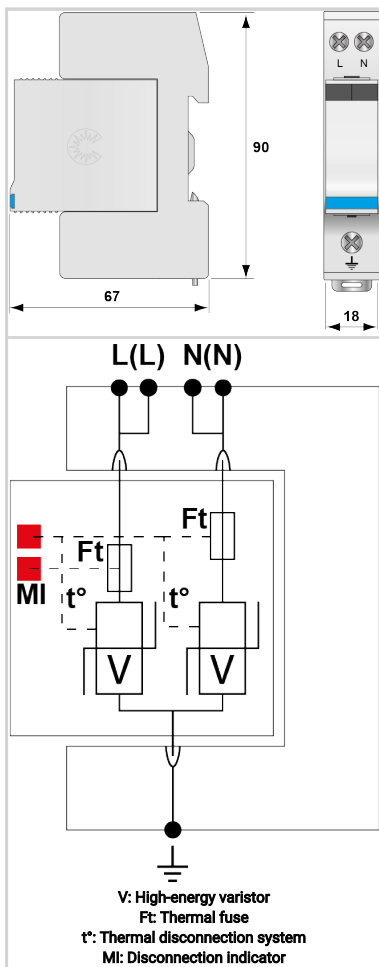
CITEL

Compact 1-phase Type 2 (or 3) surge protector - 120 V -Pluggable

DS215-120



- ▶ Discover our latest innovation : the [DAC15C-20-150](#)
- ▶ Compact single-phase type 2 (or 3) surge protector
- ▶ In : 5 kA
- ▶ I_{max} : 15 kA
- ▶ Common mode
- ▶ Pluggable module
- ▶ Remote signaling option
- ▶ EN 61643-11, IEC 61643-11 compliance
- ▶ UL1449 ed.5



Electrical Characteristics		
SPD type	IEC	2+3
Network		120/208 V
AC system		TN
Nominal line voltage	U _n	120 Vac
Max. AC operating voltage	U _c	150 Vac
Max. load current		
<i>if series connection</i>	IL	20 A
Temporary Over Voltage (TOV) Characteristics - 5 sec. <i>Without disconnection</i>	UT	180 Vac withstand
Temporary Over Voltage (TOV) Characteristics - 120 mn <i>Without disconnection or with safety disconnection</i>	UT	230 Vac disconnection
Residual Current	I _{pe}	< 0.5 mA
<i>Leakage current to Ground</i>		
Follow current	I _f	None
Nominal discharge current	I _n	5 kA
<i>15 x 8/20 μs impulses</i>		
Max. discharge current	I _{max}	15 kA
<i>max. withstand @ 8/20 μs by pole</i>		
Withstand on Combination waveform IEC 61643-11	U _{oc}	10 kV
<i>Class III test: 1.2/50μs - 8/20μs</i>		
Connection mode(s)		L/PE and N/PE
Protection mode(s)		Common mode
Residual voltage at 5 kA	Up-5kA	0.6 kV
<i>@ 5 kA (8/20μs)</i>		
Protection level CM/DM	Up mc /md	0.6 kV
<i>@ I_n (8/20μs)</i>		
Admissible short-circuit current	I _{sc}	10 000 A
Mechanical Characteristics		
Technology		MOV
SPD configuration		Single phase
Connection to Network		By screw terminals: 1.5-10mm ² (L/N) or 2.5-25mm ² (PE)
Format		Plug-in modular box
Mounting		Symmetrical rail 35 mm (EN 60715)
Housing material		Thermoplastic UL94 V-0
Operating temperature	Tu	-40/+85°C
Protection rating		IP20
Failsafe mode		Disconnection from AC network
Disconnection indicator		2 mechanical indicators
Spare module(s)		DSM215-120
Remote signaling of disconnection		Option DS215S-120 : output on changeover contact
Dimensions		See diagram
Disconnectors		
Thermal disconnector		Internal
Installation ground fault breaker		Type 'S' or delayed
Back-up protection device		20 A / 40 A (gL/gG)
Standards		
Standards compliance		IEC 61643-11 / EN 61643-11 / UL1449 ed.5



CITEL

Compact 1-phase Type 2 (or 3) surge protector - 120 V -Pluggable

DS215-120

Certification	cRUus
Part number	451601

