



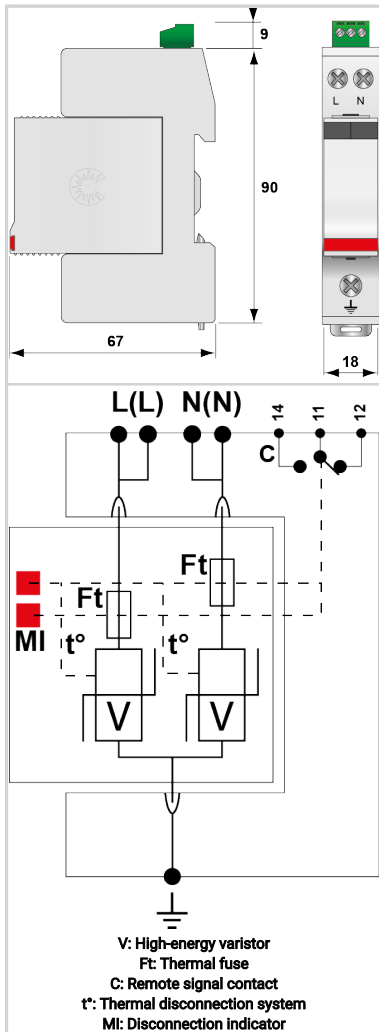
# CITEL

## Compact 1-phase Type 2 (or 3) surge protector - Pluggable

### DS240S-400



- › Discover our latest innovation : the [DAC40CS-20-440](#)
- › Compact single-phase Type 2 surge protector
- › In: 20 kA
- › Imax: 40 kA
- › Common mode
- › Pluggable module
- › Remote signaling
- › EN 61643-11, IEC 61643-11 compliance
- › UL1449 ed.5



Electrical Characteristics		
SPD type	IEC	2
Network		230/400 V
AC system		IT
Nominal line voltage	Un	400 Vac
Max. AC operating voltage	Uc	440 Vac
Max. load current <i>if series connection</i>	IL	20 A
Temporary Over Voltage (TOV) Characteristics - 5 sec. <i>Without disconnection</i>	UT	580 Vac withstand
Temporary Over Voltage (TOV) Characteristics - 120 mn <i>Without disconnection or with safety disconnection</i>	UT	770 Vac disconnection
Residual Current <i>Leakage current to Ground</i>	Ipe	< 0.5 mA
Follow current	If	None
Nominal discharge current <i>15 x 8/20 µs impulses</i>	In	20 kA
Max. discharge current <i>max. withstand @ 8/20 µs by pole</i>	Imax	40 kA
Total Maximum discharge current <i>max. total withstand @ 8/20 µs</i>	Imax Total	80 kA
Connection mode(s)		L/PE and N/PE
Protection mode(s)		Common mode
Residual voltage at 5 kA <i>@ 5 kA (8/20µs)</i>	Up-5kA	1.3 kV
Protection level CM/DM <i>@ In (8/20µs)</i>	Up mc /md	1.8 kV
Admissible short-circuit current	Iscsr	10 000 A
Mechanical Characteristics		
Technology		MOV
SPD configuration		Single phase
Connection to Network		By screw terminals: 1.5-10mm <sup>2</sup> (L/N) or 2.5-25mm <sup>2</sup> (PE)
Format		Plug-in modular box
Mounting		Symmetrical rail 35 mm (EN 60715)
Housing material		Thermoplastic UL94 V-0
Operating temperature	Tu	-40/+85°C
Protection rating		IP20
Failsafe mode		Disconnection from AC network
Disconnection indicator		2 mechanical indicators
Spare module(s)		DSM240-400
Remote signaling of disconnection		Output on changeover contact
Dimensions		See diagram
Weight		0.145 kg
Disconnectors		
Thermal disconnector		Internal
Installation ground fault breaker		Type 'S' or delayed



# CITEL

## Compact 1-phase Type 2 (or 3) surge protector - Pluggable

### DS240S-400

Back-up protection device	Fuses type gG - 50 A
<b>Standards</b>	
Standards compliance	IEC 61643-11 / EN 61643-11 / UL1449 ed.5
Certification	cRUus
Environmental standards	EU RoHS
<b>Part number</b>	
<b>311411</b>	

