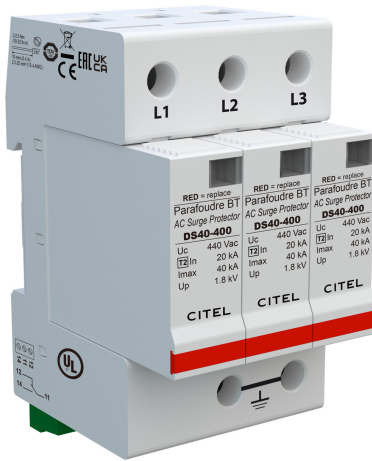




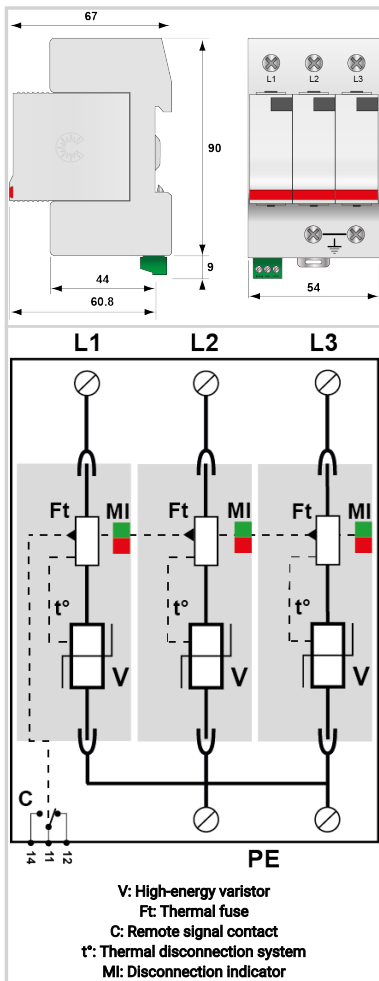
# CITEL

## Type 2 AC surge protector - 3-phase

### DS43S-400



- Discover our latest innovation : the [DAC50S-30-440](#)
- Type 2 AC Multipolar surge protector
- In: 20 kA
- I<sub>max</sub> total: 120 kA
- Pluggable module for each phase
- Remote signaling
- EN 61643-11, IEC 61643-11, UL1449 ed.5



#### Electrical Characteristics

Network		230/400 V
AC system		IT
Nominal line voltage	Un	400 Vac
Max. AC operating voltage	Uc	440 Vac
Temporary Over Voltage (TOV) Characteristics - 5 sec. <i>Without disconnection</i>	UT	580 Vac withstand
Temporary Over Voltage (TOV) Characteristics - 120 mn <i>Without disconnection or with safety disconnection</i>	UT	770 Vac disconnection
Residual Current <i>Leakage current to Ground</i>	I <sub>pe</sub>	< 1.5 mA
Follow current	I <sub>f</sub>	None
Nominal discharge current <i>15 x 8/20 μs impulses</i>	I <sub>n</sub>	20 kA
Max. discharge current <i>max. withstand @ 8/20 μs by pole</i>	I <sub>max</sub>	40 kA
Connection mode(s)		L/PE
Protection mode(s)		Common mode
Residual voltage at 5 kA <i>@ 5 kA (8/20 μs)</i>	Up-5kA	1.3 kV
Protection level L/PE <i>@ I<sub>n</sub> (8/20 μs)</i>	Up L/PE	1.8 kV
Admissible short-circuit current	I <sub>sc</sub>	25 000 A

#### Mechanical Characteristics

SPD configuration		3-phase
Connection to Network		By screw terminals: 2.5-25mm <sup>2</sup> / by bus
Format		Plug-in modular box
Mounting		Symmetrical rail 35 mm (EN 60715)
Housing material		Thermoplastic UL94 V-0
Operating temperature	T <sub>u</sub>	-40/+85°C
Protection rating		IP20
Failsafe mode		Disconnection from AC network
Disconnection indicator		1 mechanical indicator by pole
Spare module(s)		DSM40-400
Remote signaling of disconnection		Output on changeover contact
Weight		0.286 kg

#### Disconnectors

Thermal disconnector		Internal
Installation ground fault breaker		Type 'S' or delayed
Back-up protection device		Fuses type gG - 50 A

#### Standards

Certification		UL / TUV
Environmental standards		EU RoHS

#### Part number

461423

