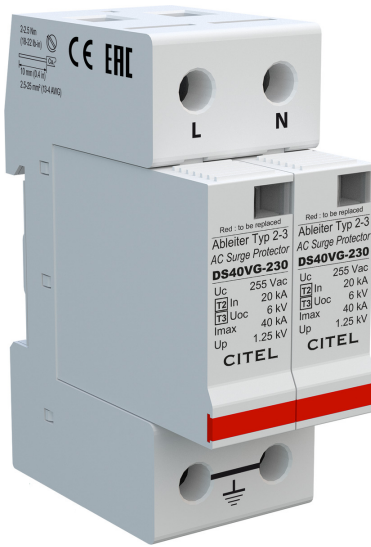




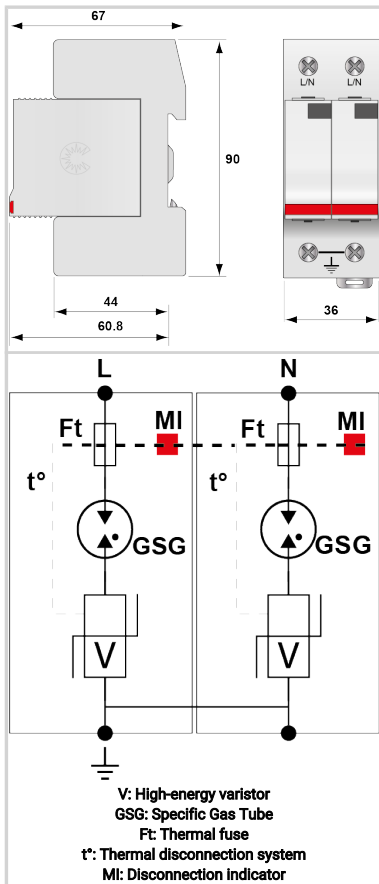
CITEL

Type 2+3 AC surge protector - single-phase

DS42VG-230



- ▶ Discover our latest innovation : the [DAC50VG-20-275](#)
- ▶ Type 2 + 3 AC Multipolar surge protector
- ▶ In : 20 kA
- ▶ I_{max} total: 80 kA
- ▶ Pluggable module
- ▶ Follow and operating current : none
- ▶ No ageing
- ▶ Optional remote signaling state
- ▶ Optimized to TOV
- ▶ EN 61643-11, IEC 61643-11, UL1449 ed.5 compliance



Electrical Characteristics		
SPD type	IEC	2+3
Network		230/400 V
AC system		TN
Nominal line voltage	U _n	230 Vac
Max. AC operating voltage	U _c	255 Vac
Temporary Over Voltage (TOV) Characteristics - 5 sec. Without disconnection	UT	335 Vac withstand
Temporary Over Voltage (TOV) Characteristics - 120 mn Without disconnection or with safety disconnection	UT	440 Vac withstand
Residual Current Leakage current to Ground	I _{pe}	None
Follow current	I _f	None
Nominal discharge current 15 x 8/20 μs impulses	I _n	20 kA
Max. discharge current max. withstand @ 8/20 μs by pole	I _{max}	40 kA
Total Maximum discharge current max. total withstand @ 8/20 μs	I _{max} Total	80 kA
Withstand on Combination waveform IEC 61643-11 Class III test: 1.2/50μs - 8/20μs	U _{oc}	6 kV
Withstand on overvoltages IEEE C62.41.1		20 kV
Connection mode(s)		L/PE and N/PE
Protection mode(s)		Common mode
Residual voltage @ I _n (8/20 μs)	U _{p-in}	0.8 kV
Protection level L/PE @ I _n (8/20μs)	U _p L/PE	1.25 kV
Admissible short-circuit current	I _{sc} cr	25 000 A
Mechanical Characteristics		
Technology		VG Technology (MOV+GSG)
SPD configuration		Single phase
Connection to Network		By screw terminals: 2.5-25mm ² / by bus
Format		Plug-in modular box
Mounting		Symmetrical rail 35 mm (EN 60715)
Housing material		Thermoplastic UL94 V-0
Operating temperature	T _u	-40/+85°C
Protection rating		IP20
Failsafe mode		Disconnection from AC network
Disconnection indicator		1 mechanical indicator by pole
Spare module(s)		DSM40VG-230
Remote signaling of disconnection		option DS42VGS-230 : output on changeover contact
Dimensions		See diagram
Disconnectors		
Thermal disconnector		Internal
Installation ground fault breaker		Type 'S' or delayed
Back-up protection device		50 A min. - 125 A max. - Fuses Type gG
Standards		
Standards compliance		IEC 61643-11 / EN 61643-11 / UL1449 ed.5
Certification		UL Recognized
Part number		
461551		

