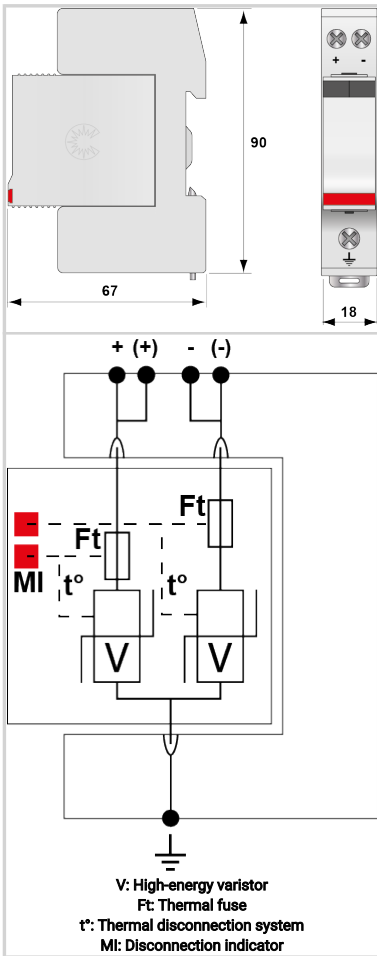




CITEL

DS230-75DC



Electrical Characteristics		
SPD type	IEC	2
Nominal DC voltage	Un-dc	75 Vdc
Nominal PV voltage	Uocstc	75 Vdc
Max. load current @25°C	IL	50 A
Connection mode(s)		+/-PE
Protection mode(s)		Common mode
Protection level +/-PE (-/PE) @ In (8/20µs)	Up	390 V
Mechanical Characteristics		
Technology		MOV
Format		Plug-in modular box
Housing material		Thermoplastic UL94 V-0
Operating temperature	Tu	-40/+85°C
Protection rating		IP20
Failsafe mode		Disconnection from DC network
Disconnection indicator		2 mechanical indicators
Dimensions		See diagram
Weight		0.112 kg
Disconnectors		
Thermal disconnector		Internal
Back-up protection device		Fuses type gG - 20A
Part number		
390601		

